

XS8E1A1PBM8

Inductive proximity sensors XS, inductive sensor XS8 26x26x13, PBT, Sn15mm, 12...24 VDC, M8



Main

| | |
|------------------------------------|---|
| Range of product | Telemecanique Inductive proximity sensors XS |
| Series name | General purpose |
| Sensor type | Inductive proximity sensor |
| Device application | - |
| Sensor name | XS8 |
| Sensor design | Flat form 26 x 26 x 13 |
| Size | 13 mm |
| Body type | Fixed |
| Detector flush mounting acceptance | Non flush mountable |
| Material | Plastic |
| Enclosure material | PBT |
| Type of output signal | Discrete |
| Wiring technique | 3-wire |
| [Sn] nominal sensing distance | 10 Mm flush mountable 15 mm non flush mountable |
| Discrete output function | 1 NC |
| Output circuit type | DC |
| Discrete output type | PNP |
| Electrical connection | Male connector M8, 3 pins |
| [Us] rated supply voltage | 12...24 V DC with reverse polarity protection |
| Switching capacity in mA | <= 100 mA DC with overload and short-circuit protection |
| IP degree of protection | IP67 conforming to IEC 60529 |

Complementary

| | |
|--------------------------|--|
| Detection face | Frontal |
| Front material | PBT |
| Fine adjustment zone | 5...10 Mm flush mountable 5...15 mm non flush mountable |
| Differential travel | 1...15% of Sr |
| Supply voltage limits | 10...36 V DC |
| Maximum residual current | 1.5 mA open state |
| Switching frequency | <= 2000 Hz |
| Maximum voltage drop | <2 V (closed) |
| Current consumption | <= 10 mA no-load |
| Maximum delay first up | 10 ms |
| Maximum delay response | 0.3 ms |
| Maximum delay recovery | 0.8 ms |
| Marking | CE |
| Depth | 13 mm |
| Height | 26 mm |
| Width | 26 mm |
| Net weight | 0.04 kg |

The information provided in this documentation contains general descriptions and/or technical characteristics of the performance of the products contained herein. This documentation is not intended as a substitute for and is not to be used for determining suitability or reliability of these products for specific user applications. It is the duty of any such user or integrator to perform the appropriate and complete risk analysis, evaluation and testing of the products with respect to the relevant specific application or use thereof. Neither Schneider Electric Industries SAS nor any of its affiliates or subsidiaries shall be responsible or liable for misuse of the information contained herein.

Environment

| | |
|---------------------------------------|---|
| Product certifications | UL Ecolab CSA |
| Ambient air temperature for operation | -25...70 °C |
| Ambient air temperature for storage | -40...85 °C |
| Vibration resistance | 25 gn amplitude = +/- 2 mm (f = 10...55 Hz) conforming to IEC 60068-2-6 |
| Shock resistance | 50 gn for 11 ms conforming to IEC 60068-2-27 |

Packing Units

| | |
|------------------------------|----------|
| Unit Type of Package 1 | PCE |
| Number of Units in Package 1 | 1 |
| Package 1 Weight | 42 g |
| Package 1 Height | 6.6 cm |
| Package 1 width | 9 cm |
| Package 1 Length | 4.4 cm |
| Unit Type of Package 2 | S01 |
| Number of Units in Package 2 | 20 |
| Package 2 Weight | 1.035 kg |
| Package 2 Height | 15 cm |
| Package 2 width | 15 cm |
| Package 2 Length | 40 cm |

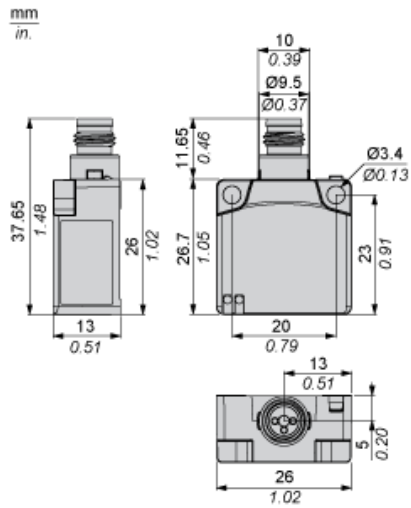
Offer Sustainability

| | |
|----------------------------|--|
| Sustainable offer status | Green Premium product |
| REACH Regulation | REACH Declaration |
| EU RoHS Directive | Pro-active compliance (Product out of EU RoHS legal scope) EU RoHS Declaration |
| Mercury free | Yes |
| RoHS exemption information | Yes |
| Environmental Disclosure | Product Environmental Profile |

Contractual warranty

| | |
|----------|-----------|
| Warranty | 18 months |
|----------|-----------|

Dimensions



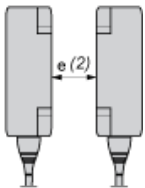
Setting-up

Minimum Mounting Distances (mm)

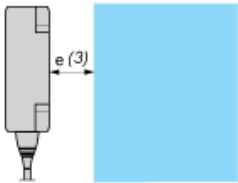
Side by Side



Face to Face



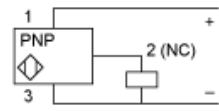
Facing a Metal Object



| | e (1) | e (2) | e (3) |
|-------------------|-------|-------|-------|
| Flush mounted | 40 | 80 | 10 |
| Not flush mounted | 150 | 300 | |

Wiring Schemes

PNP



M8

