



Main

| | |
|------------------------------------|--|
| Range of product | Telemecanique Inductive proximity sensors XS |
| Series name | Application |
| Sensor type | Inductive proximity sensor |
| Electrical circuit type | Analog output |
| Sensor name | XS4 |
| Sensor design | Cylindrical M18 |
| Size | 41 mm |
| Body type | Fixed |
| Detector flush mounting acceptance | Non flush mountable |
| Material | Plastic |
| Type of output signal | Analogue |
| Wiring technique | 3-wire |
| [Sn] nominal sensing distance | 8 mm |
| Output circuit type | DC |
| Analogue output range | 0...10 V |
| Electrical connection | Cable |
| Cable length | 2 m |
| [Us] rated supply voltage | 24...48 V DC |
| IP degree of protection | IP67 conforming to IEC 60529 |

Complementary

| | |
|------------------------------|--------------------------|
| Thread type | M18 x 1 |
| Detection face | Frontal |
| Front material | PPS |
| Enclosure material | PBT |
| Operating zone | 0.8...8 mm |
| Repeat accuracy | <= 3% of Sr |
| Linearity error | +/- 2 mA |
| Cable composition | 3 x 0.34 mm ² |
| Wire insulation material | PvR |
| Supply voltage limits | 15...58 V DC |
| Switching frequency | <= 500 Hz |
| Current consumption | 4 mA no-load |
| Maximum output current drift | 10 % |
| Marking | CE |
| Threaded length | 26 mm |
| Height | 18 mm |
| Length | 41 mm |
| Net weight | 0.08 kg |

Environment

| | |
|---------------------------------------|------------------|
| Product certifications | UL CCC CSA |
| Ambient air temperature for operation | -25...70 °C |

Packing Units

| | |
|------------------------------|---------|
| Unit Type of Package 1 | PCE |
| Number of Units in Package 1 | 1 |
| Package 1 Weight | 97 g |
| Package 1 Height | 4.1 cm |
| Package 1 width | 9.5 cm |
| Package 1 Length | 13.2 cm |
| Unit Type of Package 2 | BAG |
| Number of Units in Package 2 | 1 |
| Package 2 Weight | 97 g |
| Package 2 Height | 3 cm |
| Package 2 width | 20 cm |
| Package 2 Length | 15 cm |
| Unit Type of Package 3 | S03 |
| Number of Units in Package 3 | 44 |
| Package 3 Weight | 4.75 kg |
| Package 3 Height | 30 cm |
| Package 3 width | 30 cm |
| Package 3 Length | 40 cm |

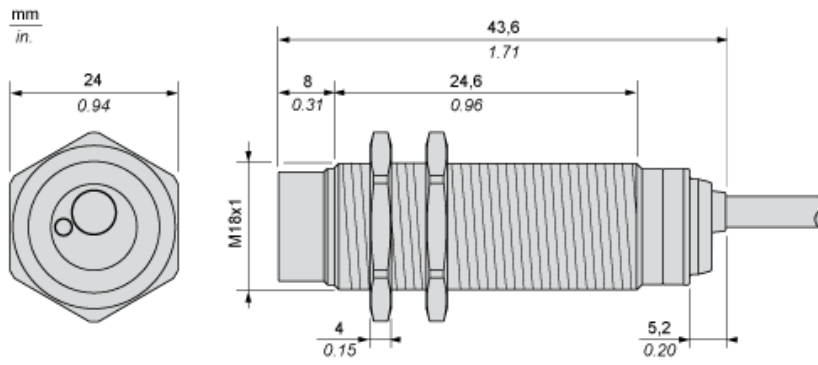
Offer Sustainability

| | |
|----------------------------|--|
| Sustainable offer status | Green Premium product |
| REACH Regulation | REACH Declaration |
| EU RoHS Directive | Pro-active compliance (Product out of EU RoHS legal scope) EU RoHS Declaration |
| Mercury free | Yes |
| RoHS exemption information | Yes |
| Environmental Disclosure | Product Environmental Profile |
| Circularity Profile | End Of Life Information |

Contractual warranty

| | |
|----------|-----------|
| Warranty | 18 months |
|----------|-----------|

Dimensions



Minimum Mounting Distances

Side by side



e (1) 32 mm/1.26 in.

≥

Face to face



e (2) 96 mm/3.78 in.

≥

Facing a metal object



e (3) 24 mm/0.94 in.

≥

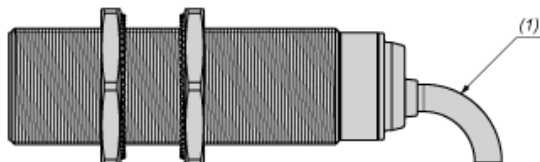
Mounted in a metal support



d ≥ 56 mm/2.20 in.

h ≥ 16 mm/0.63 in.

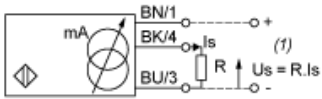
Mounting



(1) Bending cable: 4 x external cable diameter

Wiring Schemes

3-Wire connection



(1) Voltage output

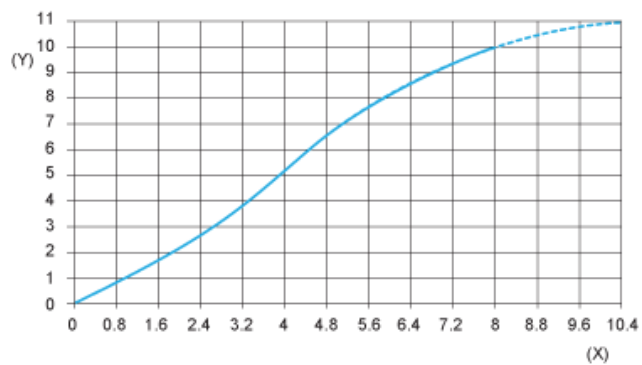
BN : Brown

BK : Black

BU : Blue

| | Output current | Load impedance value | Output voltage | Load impedance value |
|------|----------------|----------------------|----------------|----------------------|
| 24 V | 0...10 mA | $R \leq 1500 \Omega$ | 0...10 V | $R = 1000 \Omega$ |
| 48 V | 0...10 mA | $R \leq 3300 \Omega$ | 0...10 V | $R = 1000 \Omega$ |

Output Curves



(Y) Is (V)

(X) Sensors - object distance (mm)