

XMLK010B2D71

Electronic pressure sensors, Pressure sensors XM, sensor XMLK, 0...10 bar, G 1/4 A, 0...10 V, M12, set of 1



Main

| | |
|---------------------------|--|
| Range of product | OsiSense XM |
| Product or component type | Electronic pressure sensors |
| Pressure sensor type | Pressure transmitter |
| Pressure sensor name | XMLK |
| Electrical circuit type | Control circuit |
| Pressure rating | 10 bar |
| Local display | Without |
| Controlled fluid | Air (0...80 °C) Fresh water (0...80 °C) |
| Fluid connection type | G 1/4A (male) conforming to DIN 3852-E |
| Electrical connection | 1 male connector M12 4 pins |
| [Us] rated supply voltage | 24 V DC SELV (voltage limits: 16.2...33 V) |
| Current consumption | < 6 mA |
| Type of output signal | Analogue |
| Analogue output function | 0...10 V, 3-wire |
| Quantity per set | Set of 1 |
| Type of packing | Individual |

Complementary

| | |
|---|--|
| Pressure setting range | 0...10 bar |
| Maximum permissible accidental pressure | 20 bar |
| Destruction pressure | 30 bar |
| Materials in contact with fluid | Stainless steel type AISI 303 Nitrile (NBR) Ceramic |
| Operating position | Any position |
| Protection type | Load short-circuit Reverse polarity |
| Electromagnetic compatibility | Electrostatic discharge immunity test conforming to EN/IEC 61000-4-2 8 kV air, 6 kV contact Susceptibility to electromagnetic fields conforming to EN/IEC 61000-4-3 10 V/m 80...1000 MHz Electrical fast transient/burst immunity test conforming to EN/IEC 61000-4-4 2 kV 1.2/50 µs shock waves immunity test conforming to EN/IEC 61000-4-5 500 V 12 Ohm, 1 kV 42 Ohm Radiated RF fields conforming to EN/IEC 61000-4-6 10 V 0.15...80 MHz Immunity to magnetic fields conforming to EN/IEC 61000-4-8 30 A/m 50 Hz |
| [Uimp] rated impulse withstand voltage | 0.5 kV |
| Response time on output | < 5 ms |
| Measurement accuracy | +/- 1 % of the measuring range |
| Resolution | 0.1 % of the measuring range |
| Drift of the sensitivity | +/- 0.04 % of measuring range/°K |
| Drift of the zero point | +/- 0.03 % of measuring range/°K |
| Long term stability | +/- 1 % of the measuring range |
| Mechanical durability | 10000000 cycles |
| Net weight | 0.11 kg |
| Diameter | 36 mm |

The information provided in this documentation contains general descriptions and/or technical characteristics of the performance of the products contained herein. This documentation is not intended as a substitute for and is not to be used for determining suitability or reliability of these products for specific user applications. It is the duty of any such user or integrator to perform the appropriate and complete risk analysis, evaluation and testing of the products with respect to the relevant specific application or use thereof. Neither Schneider Electric Industries SAS nor any of its affiliates or subsidiaries shall be responsible or liable for misuse of the information contained herein.

| | |
|------------|--------------------|
| Length | 67.5 mm |
| Scale type | Fixed differential |

Environment

| | |
|---------------------------------------|--|
| Standards | EN/IEC 61326-2-3 CE |
| Product certifications | CSA C22.2 No 14 EAC RCM UL 508 |
| Protective treatment | TC |
| Ambient air temperature for operation | 0...80 °C |
| Ambient air temperature for storage | -25...80 °C |
| Vibration resistance | 20 gn (f = 9...2000 Hz) conforming to EN/IEC 60068-2-6 |
| Shock resistance | 25 gn for 11 ms conforming to EN/IEC 60068-2-27 |
| IP degree of protection | IP65 conforming to EN/IEC 60529 |
| NEMA degree of protection | NEMA 4 |

Packing Units

| | |
|------------------------------|----------|
| Unit Type of Package 1 | PCE |
| Number of Units in Package 1 | 1 |
| Package 1 Weight | 128 g |
| Package 1 Height | 4 cm |
| Package 1 width | 9.2 cm |
| Package 1 Length | 6.2 cm |
| Unit Type of Package 2 | S01 |
| Number of Units in Package 2 | 24 |
| Package 2 Weight | 3.244 kg |
| Package 2 Height | 15 cm |
| Package 2 width | 15 cm |
| Package 2 Length | 40 cm |

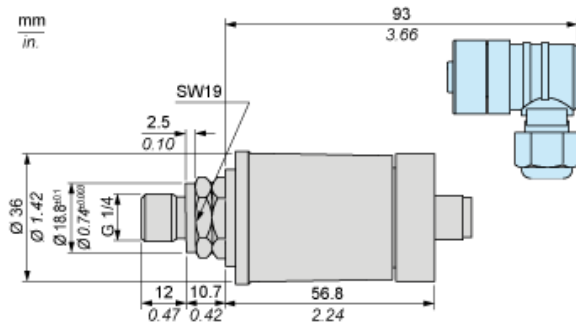
Offer Sustainability

| | |
|----------------------------|--|
| REACH Regulation | REACH Declaration |
| EU RoHS Directive | Pro-active compliance (Product out of EU RoHS legal scope) EU RoHS Declaration |
| Mercury free | Yes |
| RoHS exemption information | Yes |

Contractual warranty

| | |
|----------|-----------|
| Warranty | 18 months |
|----------|-----------|

Dimensions



Wiring Diagram

3-Wire Technique (0-10 V)



(a) V out

Output Curves

