



## Main

Range of product	Telemecanique Photoelectric sensors XU
Series name	Application packaging
Electronic sensor type	Photo-electric sensor
Sensor name	XUK
Sensor design	Compact 50 x 50
Detection system	Diffuse
Emission	White LED
[Sn] nominal sensing distance	19 mm spot Ø 3.5 mm
Material	Plastic
Switching frequency	<= 5 kHz
Type of output signal	Discrete
Supply circuit type	DC
Wiring technique	3-wire
Discrete output type	PNP
Discrete output function	1 NO or 1 NC programmable
Electrical connection	1 male connector M12 adjustable through 90°, 4 pins
Product specific application	Colour mark
Sale per indivisible quantity	1

## Complementary

Enclosure material	ABS
Lens material	Glass
Resolution	0.5 mm
Depth of field	+/- 2 mm
Maximum passing speed of object	2.5 m/s, minimum detected mark width: 1 mm
Output type	Solid state
Output function governance	Light or dark teaching
Add on output	Without
Add on input	Remote teaching
Status LED	Stability: 1 LED (green) Error: 1 LED (green/red (flashing)) Output state: 1 LED (yellow)
[Us] rated supply voltage	12...24 V DC
Supply voltage limits	DC
Switching capacity in mA	<= 100 mA (reverse polarity, overload and short-circuit protection)
Maximum voltage drop	<2 V (closed state)
Current consumption	<= 30 mA no-load
Maximum delay response	0.1 ms
Maximum delay recovery	0.1 ms
Setting-up	Sensitivity adjustment with teach mode
Depth	50 mm
Height	50 mm
Width	15 mm
Net weight	0.045 kg

## Environment

Product certifications	CULus CE
Ambient air temperature for operation	-10...55 °C
Ambient air temperature for storage	-20...70 °C
Vibration resistance	+/-0.5 mm (f = 10...55 Hz) conforming to IEC 60068-2-6
Shock resistance	30 gn (duration = 11 ms) for 6 shocks on each axis conforming to IEC 60068-2-27
IP degree of protection	IP65 conforming to IEC 60529

## Packing Units

Unit Type of Package 1	PCE
Number of Units in Package 1	1
Package 1 Weight	52 g
Package 1 Height	3.5 cm
Package 1 width	8.2 cm
Package 1 Length	8.5 cm
Unit Type of Package 2	S02
Number of Units in Package 2	21
Package 2 Weight	1.576 kg
Package 2 Height	15 cm
Package 2 width	30 cm
Package 2 Length	40 cm

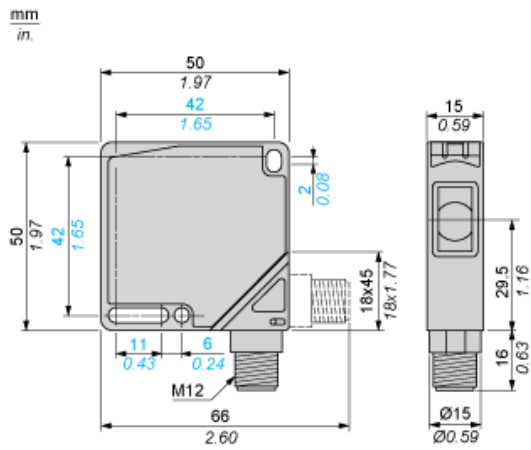
## Offer Sustainability

Sustainable offer status	Green Premium product
REACH Regulation	<a href="#">REACH Declaration</a>
REACH free of SVHC	Yes
EU RoHS Directive	Pro-active compliance (Product out of EU RoHS legal scope) <a href="#">EU RoHS Declaration</a>
Toxic heavy metal free	Yes
Mercury free	Yes
RoHS exemption information	<a href="#">Yes</a>
Environmental Disclosure	<a href="#">Product Environmental Profile</a>
Circularity Profile	<a href="#">End Of Life Information</a>

## Contractual warranty

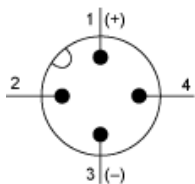
Warranty	18 months
----------	-----------

## Dimensions



## Wiring Schemes

### Connector Scheme



1/ 10...30 VDC

Brown :

2/ Adjustment input

White :

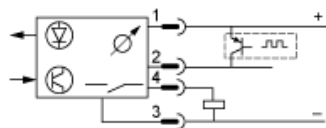
3/ 0 V

Blue :

4/ Output

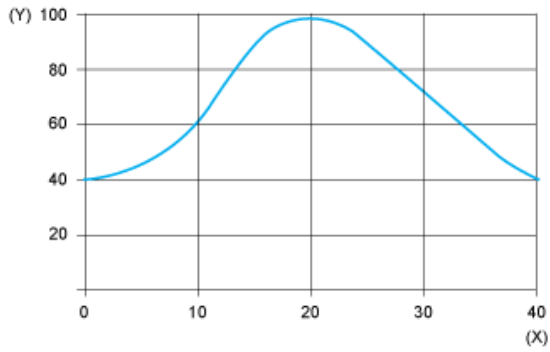
Black :

### PNP Output



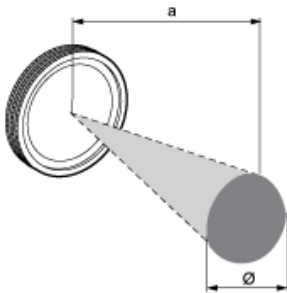
Curves

Detection Curve



(y) % of signal  
(x) Detection distance (mm)

Detection Zone and Spot Size



a (mm)	Ø (mm)
19	3.5