

# XUK1ARCNL2H60

Photoelectric sensors XU, photo electric sensor, XUK, reflex, kit, Sn 7 m, 24...240VAC/DC, cable 2 m



## Main

Range of product	Telemecanique Photoelectric sensors XU
Series name	Application tertiary sector
Electronic sensor type	Photo-electric sensor
Product specific application	Access detection
Sensor name	XUK
Sensor design	Compact 50 x 50
Additional information	French/english leaflet
Material	Plastic
Detection system	Reflex
Emission	Infrared reflex
[Sn] nominal sensing distance	7 m with 50 x 50 mm reflector
Wiring technique	5-wire
Cable length	2 m

## Complementary

Kit composition	Reflex system photo-electric sensor Fixing bracket Mounting instructions 50 x 50 mm reflector
Enclosure material	PBT
Lens material	PMMA
Type of output signal	Discrete
Output type	Relay
Discrete output type	1 C/O
Output function governance	Light
Electrical connection	Cable
Wire insulation material	PVC
Status LED	Output state: 1 LED
Supply circuit type	AC/DC
[Us] rated supply voltage	24...240 V AC/DC with reverse polarity protection
Supply voltage limits	20...264 V AC/DC
Output voltage	250 V AC
Switching capacity in mA	3 A
Switching frequency	< 20 Hz
Maximum power consumption in W	2 W
Maximum delay first up	60 ms
Maximum delay response	25 ms
Maximum delay recovery	25 ms
Net weight	0.3 kg

The information provided in this documentation contains general descriptions and/or technical characteristics of the performance of the products contained herein. This documentation is not intended as a substitute for and is not to be used for determining suitability or reliability of these products for specific user applications. It is the duty of any such user or integrator to perform the appropriate and complete risk analysis, evaluation and testing of the products with respect to the relevant specific application or use thereof. Neither Schneider Electric Industries SAS nor any of its affiliates or subsidiaries shall be responsible or liable for misuse of the information contained herein.

## Environment

Product certifications	UL CSA CE
Ambient air temperature for operation	-25...55 °C
Ambient air temperature for storage	-40...70 °C
Vibration resistance	7 gn, amplitude = +/- 1.5 mm (f = 10...55 Hz) conforming to IEC 60068-2-6
Shock resistance	30 gn (duration = 11 ms) conforming to IEC 60068-2-27
IP degree of protection	IP65 conforming to IEC 60529 (double insulation)

## Packing Units

Unit Type of Package 1	PCE
Number of Units in Package 1	1
Package 1 Weight	364 g
Package 1 Height	6 cm
Package 1 width	17.5 cm
Package 1 Length	20 cm
Unit Type of Package 2	P06
Number of Units in Package 2	81
Package 2 Weight	42.48 kg
Package 2 Height	80 cm
Package 2 width	80 cm
Package 2 Length	60 cm

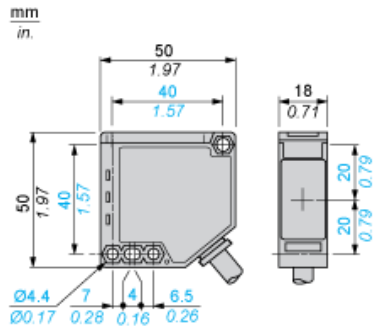
## Offer Sustainability

Sustainable offer status	Green Premium product
REACH Regulation	<a href="#">REACH Declaration</a>
EU RoHS Directive	Compliant <a href="#">EU RoHS Declaration</a>
Mercury free	Yes
RoHS exemption information	<a href="#">Yes</a>
Environmental Disclosure	<a href="#">Product Environmental Profile</a>
Circularity Profile	<a href="#">End Of Life Information</a>
WEEE	The product must be disposed on European Union markets following specific waste collection and never end up in rubbish bins

## Contractual warranty

Warranty	18 months
----------	-----------

Dimensions

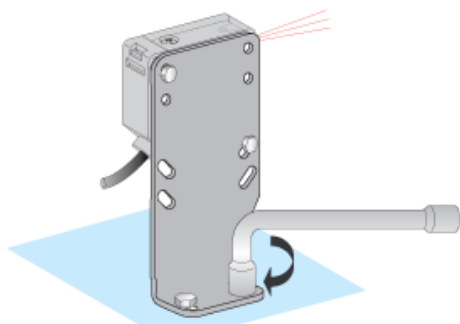


---

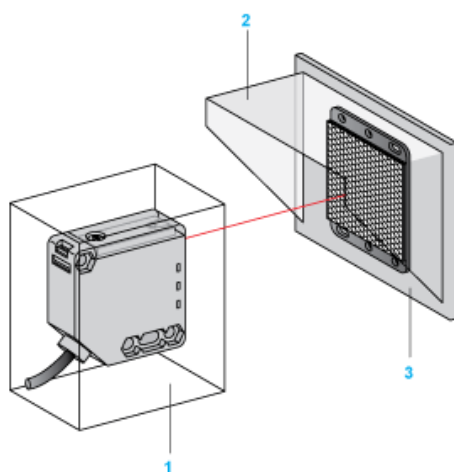
## Mounting Precautions

---

### Rigid Fixing for Trouble Free Detection



### Outdoor Mounting under Protective Cover



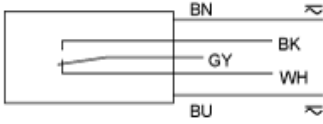
- (1) Protective housing
- (2) Lens hood
- (3) Thermal insulator to avoid frost or condensation forming on the optical parts

---

## Wiring Schemes

---

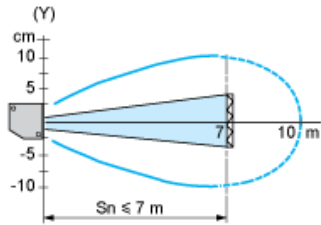
### 5-Wire AC or DC



BN : Brown  
WH : White  
BU : Blue  
BK : Black  
GY : Grey

Detection Curves

Reflex System AC or DC

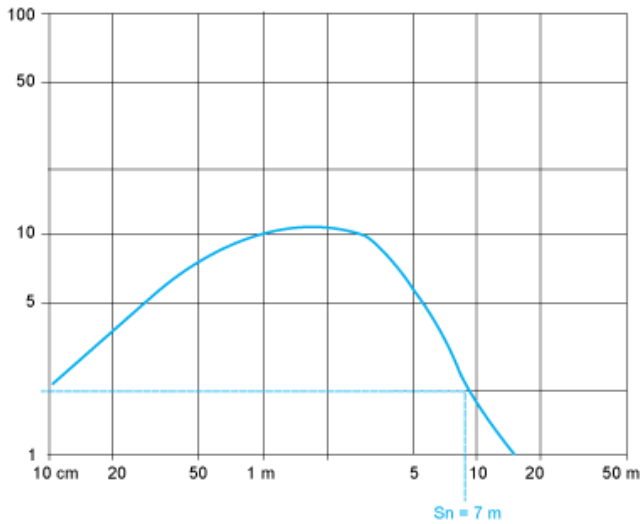


(y) Ø of beam (cm)

Detection Curves

Reflex System AC or DC

With reflector XUZC50



(y) Gain