



## Main

|                               |  |
|-------------------------------|--|
| Range of product              | Telemecanique Photoelectric sensors XU         |
| Series name                   | General purpose single mode                    |
| Electronic sensor type        | Photo-electric sensor receiver                 |
| Sensor name                   | XUK  |
| Sensor design                 | Compact 50 x 50                                |
| Detection system              | Thru beam                                      |
| Material                      | Plastic  |
| Type of output signal         | Discrete                                       |
| Supply circuit type           | DC   |
| Wiring technique              | 3-wire   |
| Discrete output type          | PNP  |
| Discrete output function      | 1 NC   |
| Electrical connection         | 1 male connector M12, 4 pins                   |
| Product specific application  | -  |
| Emission                      | Infrared thru beam                             |
| [Sn] nominal sensing distance | 30 m thru beam need a transmitter XUK2AKSNM12T |

## Complementary

|                           |   |
|---------------------------|---|
| Enclosure material        | PBT   |
| Lens material             | PMMA  |
| Maximum sensing distance  | 45 m thru beam                                    |
| Output type               | Solid state                                       |
| Add on output             | Without   |
| Status LED                | 1 LED (yellow) for output state                   |
| [Us] rated supply voltage | 12...24 V DC with reverse polarity protection     |
| Supply voltage limits     | 10...36 V DC                                      |
| Switching capacity in mA  | <= 100 mA (overload and short-circuit protection) |
| Switching frequency       | <= 250 Hz   |
| Maximum voltage drop      | <1.5 V (closed state)                             |
| Current consumption       | <= 35 mA no-load                                  |
| Maximum delay first up    | 15 ms   |
| Maximum delay response    | 2 ms  |
| Maximum delay recovery    | 2 ms  |
| Setting-up                | Without sensitivity adjustment                    |
| Depth                     | 50 mm   |
| Height                    | 50 mm   |
| Width                     | 18 mm   |
| Net weight                | 0.075 kg  |

## Environment

|                                       |   |
|---------------------------------------|---|
| Product certifications                | CE<br>UL<br>CSA   |
| Ambient air temperature for operation | -25...55 °C   |
| Ambient air temperature for storage   | -40...70 °C   |
| Vibration resistance                  | 7 gn, amplitude = +/- 1.5 mm (f = 10...55 Hz) conforming to IEC 60068-2-6 |
| Shock resistance                      | 30 gn (duration = 11 ms) conforming to IEC 60068-2-27                     |
| IP degree of protection               | IP65 double insulation conforming to IEC 60529                            |

## Packing Units

|                              |          |
|------------------------------|----------|
| Unit Type of Package 1       | PCE      |
| Number of Units in Package 1 | 1        |
| Package 1 Weight             | 63 g     |
| Package 1 Height             | 4.3 cm   |
| Package 1 width              | 6.6 cm   |
| Package 1 Length             | 9.6 cm   |
| Unit Type of Package 2       | S02      |
| Number of Units in Package 2 | 44       |
| Package 2 Weight             | 3.227 kg |
| Package 2 Height             | 15 cm    |
| Package 2 width              | 30 cm    |
| Package 2 Length             | 40 cm    |

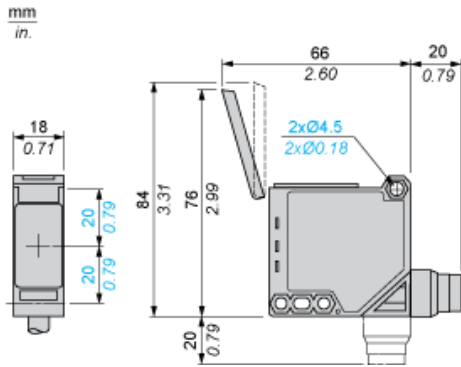
## Offer Sustainability

|                            |  |
|----------------------------|--|
| Sustainable offer status   | Green Premium product  |
| REACH Regulation           | <a href="#">REACH Declaration</a>  |
| EU RoHS Directive          | Pro-active compliance (Product out of EU RoHS legal scope) <a href="#">EU RoHS Declaration</a> |
| Mercury free               | Yes  |
| RoHS exemption information | <a href="#">Yes</a>  |
| Environmental Disclosure   | <a href="#">Product Environmental Profile</a>  |
| Circularity Profile        | <a href="#">End Of Life Information</a>  |

## Contractual warranty

|          |           |
|----------|-----------|
| Warranty | 18 months |
|----------|-----------|

Dimensions

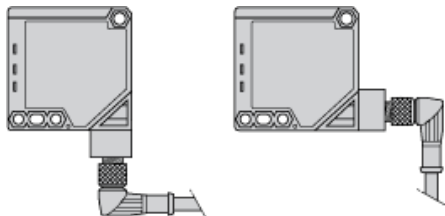


---

## Mounting and Clearance

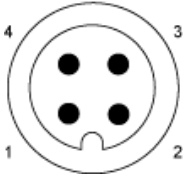
---

### Possible Orientation of Elbowed Connector



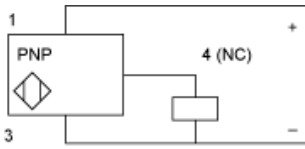
## Wiring Schemes

### M12 Connector



- 1: (+)
- 3: (-)
- 4: OUT/Output

### PNP Outputs



Detection Curves

