



Main

Range of product	Telemecanique Photoelectric sensors XU
Series name	Application material handling
Electronic sensor type	Photo-electric sensor
Sensor name	XU5
Sensor design	Cylindrical M18
Detection system	Diffuse
Material	Metal
Line of sight type	Axial
Type of output signal	Analogue
Supply circuit type	DC
Wiring technique	3-wire
Discrete output type	PNP
Analogue output range	4...20 mA
Electrical connection	1 male connector M12, 4 pins
Product specific application	-
Emission	Infrared diffuse
[Sn] nominal sensing distance	0.05...0.4 m diffuse

Complementary

Enclosure material	Nickel plated brass
Lens material	PMMA
Maximum sensing distance	0.4 m
Add on output	With analogue output
Status LED	1 LED (green) for output state
[Us] rated supply voltage	12...24 V DC with reverse polarity protection
Supply voltage limits	10...30 V DC
Switching capacity in mA	4...20 mA
Switching frequency	<= 20 Hz
Current consumption	<= 30 mA no-load
Maximum delay first up	50 ms
Setting-up	Sensitivity adjustment with potentiometer
Diameter	18 mm
Length	95 mm
Net weight	0.075 kg

Environment

Product certifications	CE UL CSA
Ambient air temperature for operation	-25...55 °C
Ambient air temperature for storage	-40...70 °C
Vibration resistance	25 gn, amplitude = +/- 2 mm (f = 10...55 Hz) conforming to IEC 60068-2-6
Shock resistance	30 gn (duration = 11 ms) conforming to IEC 60068-2-27
IP degree of protection	IP67 conforming to IEC 60529

Packing Units

Unit Type of Package 1	PCE
Number of Units in Package 1	1
Package 1 Weight	88 g
Package 1 Height	6.4 cm
Package 1 width	9.2 cm
Package 1 Length	4.2 cm

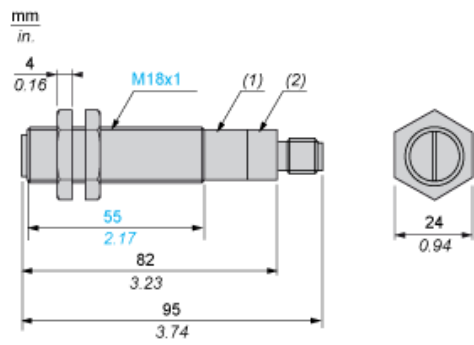
Offer Sustainability

Sustainable offer status	Green Premium product
REACH Regulation	REACH Declaration
EU RoHS Directive	Pro-active compliance (Product out of EU RoHS legal scope) EU RoHS Declaration
Mercury free	Yes
RoHS exemption information	Yes
Environmental Disclosure	Product Environmental Profile
Circularity Profile	End Of Life Information

Contractual warranty

Warranty	18 months
----------	-----------

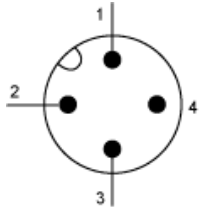
Dimensions



- (1) Potentiometer
- (2) Green LED

Connections and Schemes

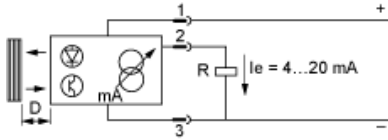
Connector Scheme



- 1: (+)
- 2: Analogue output
- 3: (-)

Wiring Schemes

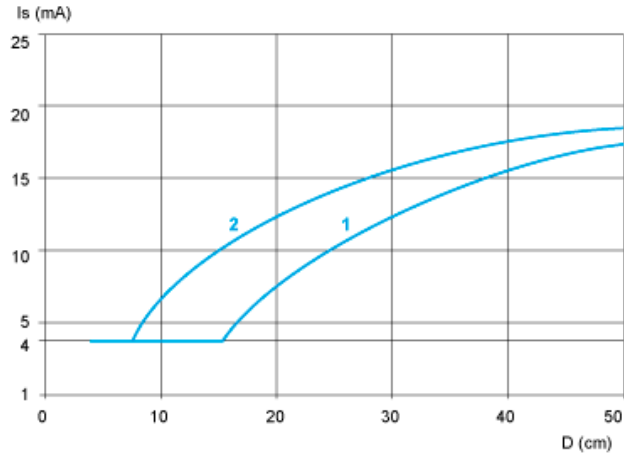
Output Current



Curves

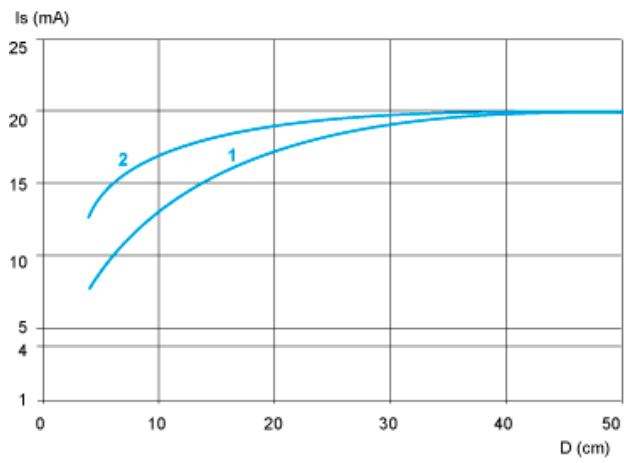
Output Signal (Related to Distance of Object)

Potentiometer Set at Maximum



- 1 : White 90% object
- 2 : Grey 15% object

Potentiometer Set at Minimum



- 1 : White 90% object
- 2 : Grey 15% object