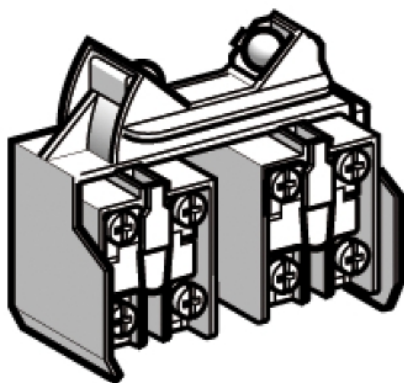


XCRZ15

Limit switch contact block with mounting plate,
Limit switches XC Standard, XCRZ, 2X(1NO
+NC), slow break, break before make



Main

| | |
|-------------------------------|---|
| Range of product | OsiSense XC |
| Series name | Special format |
| Product or component type | Limit switch contact block with mounting plate |
| Device short name | XCRZ |
| Product compatibility | XCRA XCRE XCRB XCRF |
| Electrical connection | Screw-clamp terminals, clamping capacity: 1 x 0.5...2 x 2.5 mm ² |
| Number of poles | 4 |
| Contacts type and composition | 2 x (1 NC + 1 NO) |
| Contact operation | Slow-break, break before make |
| Contacts material | Silver plated contacts |
| Positive opening | With |

Complementary

| | |
|--|---|
| Contacts insulation form | Zb |
| Minimum actuation speed | 6 m/min |
| Contact code designation | A300, AC-15 (U _e = 240 V), I _e = 3 A conforming to EN/IEC 60947-5-1 appendix A Q300, DC-13 (U _e = 250 V), I _e = 0.27 A conforming to EN/IEC 60947-5-1 appendix A |
| Maximum resistance across terminals | 25 mOhm conforming to IEC 60255-7 category 3 |
| [Ui] rated insulation voltage | 300 V conforming to UL 508 500 V (pollution degree 3) conforming to IEC 60947-1 500 V conforming to NF C 20-040 group C 500 V conforming to VDE 0110 300 V conforming to CSA C22.2 No 14 |
| [Uimp] rated impulse withstand voltage | IEC 60664 6 kV IEC 60947-1 6 kV |
| Short-circuit protection | 10 A cartridge fuse, type gG |
| Electrical durability | 5000000 Cycles, DC-13 120 V, 7 W, operating rate <60 cyc/mn, load factor: 0.5 conforming to IEC 60947-5-1 appendix C 5000000 Cycles, DC-13 24 V, 13 W, operating rate <60 cyc/mn, load factor: 0.5 conforming to IEC 60947-5-1 appendix C 5000000 cycles, DC-13 48 V, 9 W, operating rate <60 cyc/mn, load factor: 0.5 conforming to IEC 60947-5-1 appendix C |

Packing Units

| | |
|------------------------------|--------|
| Unit Type of Package 1 | PCE |
| Number of Units in Package 1 | 1 |
| Package 1 Weight | 64 g |
| Package 1 Height | 6 cm |
| Package 1 width | 3.5 cm |
| Package 1 Length | 6 cm |

Offer Sustainability

| | |
|--------------------------|---|
| REACH Regulation | REACH Declaration |
| EU RoHS Directive | Not applicable, out of EU RoHS legal scope |
| Environmental Disclosure | Product Environmental Profile |

Contractual warranty

| | |
|----------|-----------|
| Warranty | 18 months |
|----------|-----------|