



Main

Range of product	Telemecanique Limit switches XC Standard
Series name	Standard format
Product or component type	Wireless limit switch
Device short name	XCKW
Body type	Fixed
Head type	Rotary head

Complementary

Body material	Plastic
Head material	Plastic
Lever material	Metal
Fixing mode	By 4 screws
Type of operator	Spring return roller lever elastomer roller diameter 50 mm
Switch actuation	By 30° cam
Type of approach	Lateral approach, 1 or 2 programmable direction
Communication network type	ZigBee green power - 2.4 GHz conforming to IEEE 802.15.4
Electrical composition code	PW1
Emission power	3 mW
Response time	<= 2 ms
Maximum sensing distance	100 M in free field 300 M with external antenna 25 m in industrial environment
Contact operation	Snap action
Number of steps	1
Maximum torque for tripping	0.5 N.m
Maximum actuation speed	1 m/s
Maximum operating rate	60 cyc/mn
Mechanical durability	400000 cycles
Switching operation per hour	3600
Width	50 mm
Height	151 mm
Depth	68 mm
Net weight	0.22 kg

Environment

Electromagnetic compatibility	Radiated emission Immunity for industrial environments Susceptibility to electromagnetic fields - test level: 3 V/m (80...2700 MHz, distance = 20 m) Susceptibility to electromagnetic fields - test level: 10 V/m (80...2000 MHz) Electrostatic discharge immunity test - test level: 6 kV (on contact (on metal parts)) Electrostatic discharge immunity test - test level: 8 kV (in free air (in insulating parts))
Shock resistance	50 gn for 11 ms conforming to IEC 60068-2-27
Vibration resistance	+/- 10 mm (f= 2...11 Hz) conforming to IEC 60068-2-6 25 gn (f= 10...500 Hz) conforming to IEC 60068-2-6
IP degree of protection	IP67 conforming to IEC 60529 IP66 conforming to IEC 60529
IK degree of protection	IK05 conforming to EN 50102
Ambient air temperature for operation	-25...55 °C
Ambient air temperature for storage	-40...70 °C
Directives	2004/108/EC - electromagnetic compatibility 1999/5/EC - R&TTE directive
Standards	EN/IEC 60947-1 EN/IEC 60947-5-1
Radio agreement	IC conforming to RSS FCC conforming to RCM

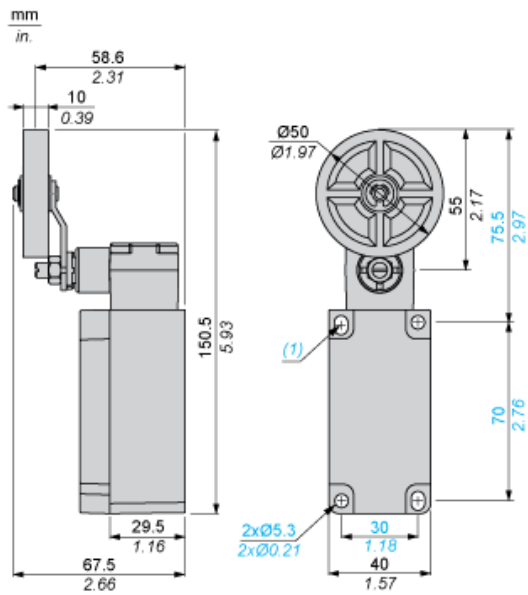
Packing Units

Package 1 Weight	0.200 kg
Package 1 Height	0.470 dm
Package 1 width	0.840 dm
Package 1 Length	1.470 dm

Offer Sustainability

REACH Regulation	REACH Declaration
EU RoHS Directive	Pro-active compliance (Product out of EU RoHS legal scope) EU RoHS Declaration
Mercury free	Yes
RoHS exemption information	Yes

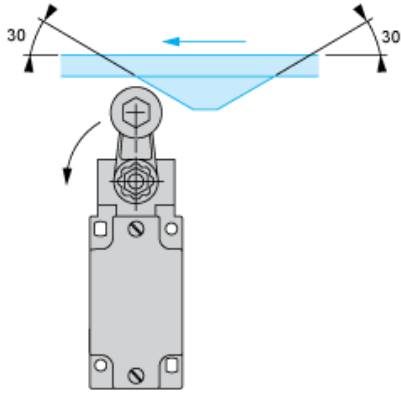
Dimensions



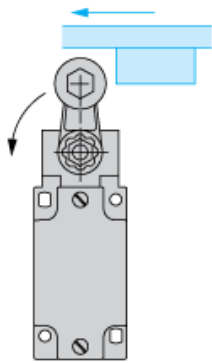
(1) 2 elongated holes 5.3 x 7.3 mm / 0.21 x 0.29 in.

Mounting with Rotary Head and Roller Lever

Recommended Mounting

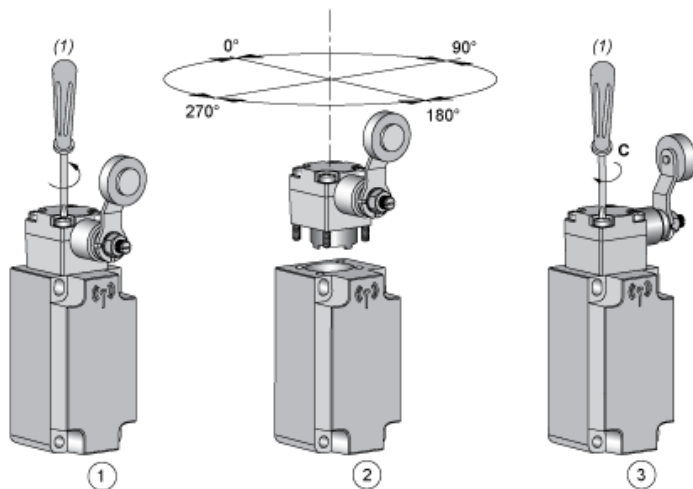


Mounting to be Avoided



Mounting

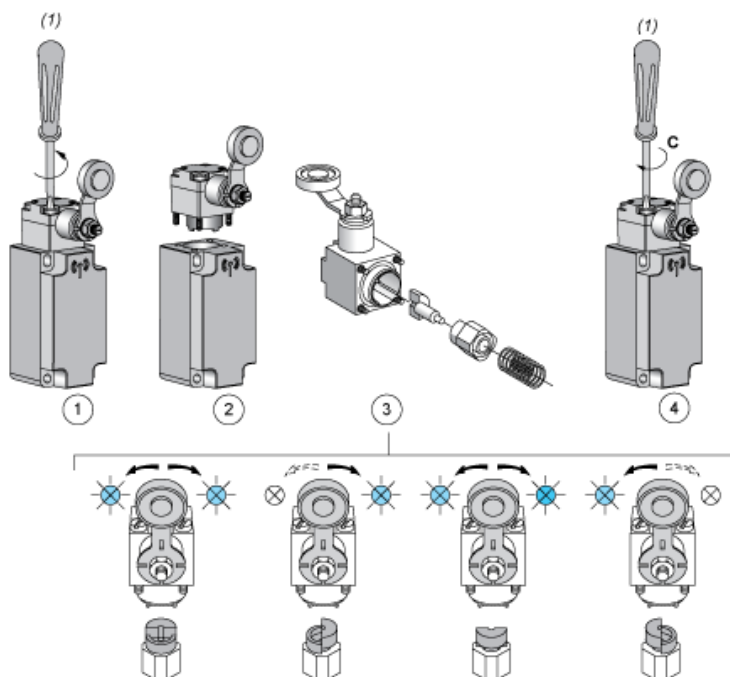
Head Orientation



(1) PZ1, pozidriv screwdriver, size 1
C : 1 Nm (± 20 %) / 8.85 lb-in (± 20 %)

Mounting

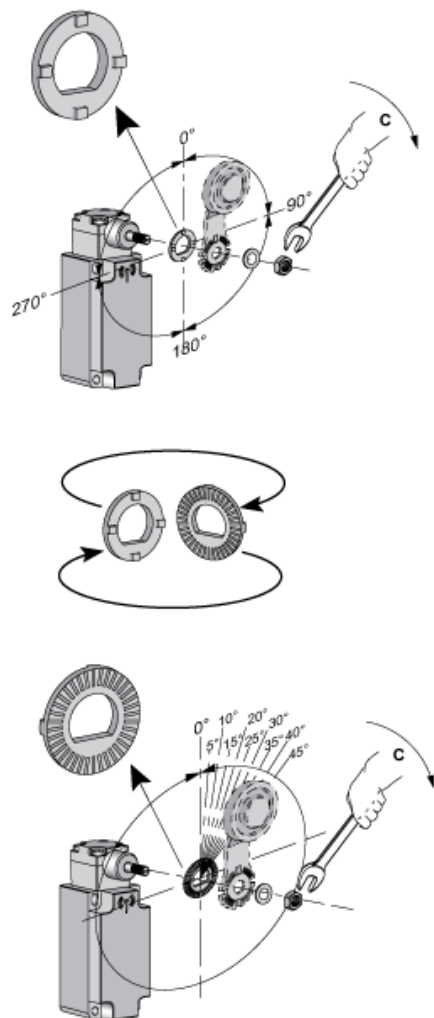
Actuator Direction Setting



- (1) PZ1, pozidriv screwdriver, size 1
 C : 1 Nm (± 20 %) / 8.85 lb-in (± 20 %)

Mounting

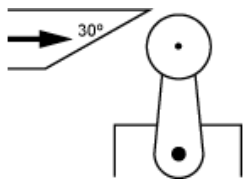
Actuator Angle Setting



- C : 1 Nm (± 20 %) / 8.85 lb-in (± 20 %)

Mounting

Characteristics of Actuation



Technical Description

Functionnal Diagram, Travel Distance



- (1) Reset
- (2) Set