



Main

Range of product	Telemecanique Safety light curtains XUSL
Accessory / separate part category	Protection accessories
Accessory / separate part type	Protective screen
Product compatibility	XUSL.E...106
Accessory / separate part destination	Safety light curtain type 4 Safety light curtain type 2
Height	1095 mm
Quantity per set	Set of 4

Complementary

Material	Polycarbonate
Sensing distance reduction coefficient	0.97 Sn
Net weight	0.44 kg

Environment

Resistance to chemical agents	Resistant detergents and cleaners Resistant alkalis Resistant to inorganic diluted acids Resistant aqueous solutions
Ambient air temperature for operation	-10...55 °C -10...55 °C
Ambient air temperature for storage	-25...70 °C -25...70 °C

Packing Units

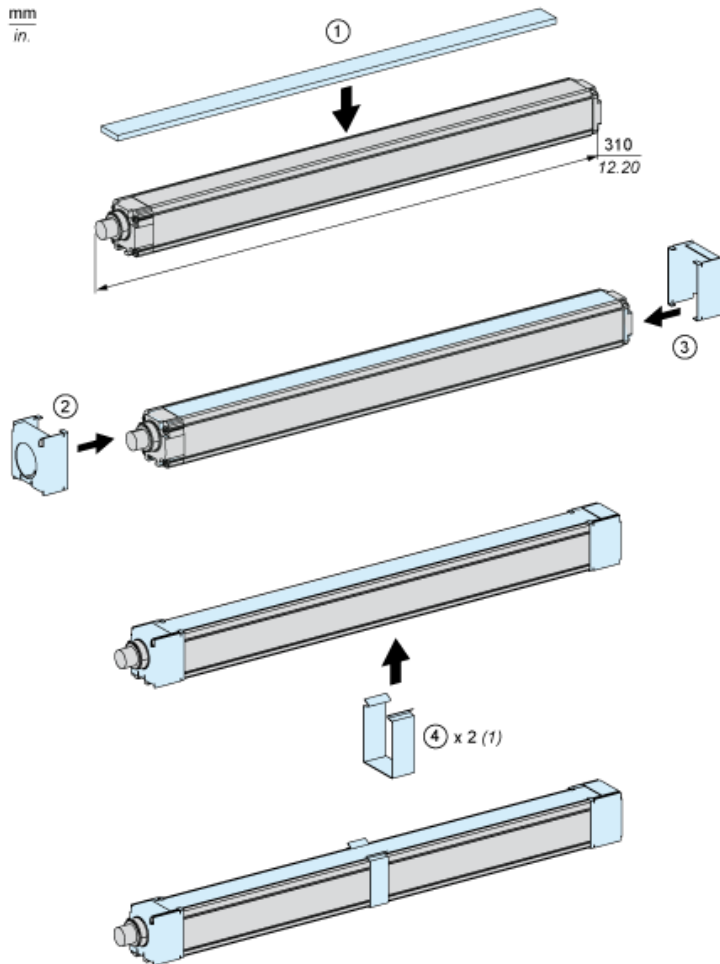
Unit Type of Package 1	PCE
Number of Units in Package 1	1
Package 1 Weight	1.688 kg
Package 1 Height	14.5 cm
Package 1 width	20 cm
Package 1 Length	121 cm

Offer Sustainability

Sustainable offer status	Green Premium product
REACH Regulation	REACH Declaration
REACH free of SVHC	Yes
EU RoHS Directive	Pro-active compliance (Product out of EU RoHS legal scope) EU RoHS Declaration
Toxic heavy metal free	Yes
Mercury free	Yes
RoHS exemption information	Yes
Environmental Disclosure	Product Environmental Profile
Circularity Profile	End Of Life Information

Mounting and Clearance

Various Stages in the Protective Screen Assembly



(1) Depending on the length