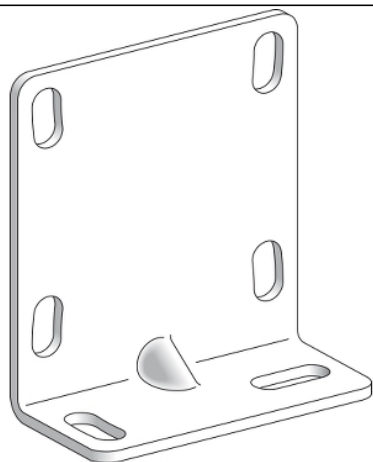


XUZAM04

Rear mounting bracket, Photoelectric sensors XU, accessory for sensor, XUM, side fixing metal



Main

Range of product	Telemecanique Photoelectric sensors XU
Accessory / separate part category	Mounting and fixing accessory
Accessory / separate part type	Fixing bracket
Product or component type	Rear mounting bracket
Accessory / separate part destination	Miniature sensor
Material	Plastic

Complementary

Product compatibility	XUM miniature sensor
Net weight	0.026 kg

Packing Units

Package 1 Weight	0.017 kg
Package 1 Height	0.150 dm
Package 1 width	0.350 dm
Package 1 Length	0.400 dm

Offer Sustainability

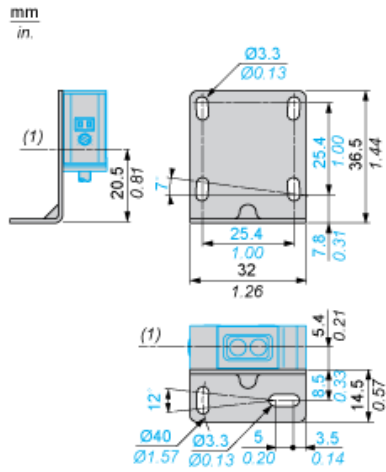
REACH Regulation	REACH Declaration
EU RoHS Directive	Pro-active compliance (Product out of EU RoHS legal scope) EU RoHS Declaration
Toxic heavy metal free	Yes
Mercury free	Yes
RoHS exemption information	Yes

Contractual warranty

Warranty	18 months
----------	-----------

The information provided in this documentation contains general descriptions and/or technical characteristics of the products contained herein. This documentation is not intended as a substitute for and is not to be used for determining suitability or reliability of these products for specific user applications. It is the duty of any such user or integrator to perform the appropriate and complete risk analysis, evaluation and testing of the products with respect to the relevant specific application or use thereof. Neither Schneider Electric Industries SAS nor any of its affiliates or subsidiaries shall be responsible or liable for misuse of the information contained herein.

Dimensions



(1) Optical axis