

# XY2SB75

Preventa XY2 SB, Two-hand control station, orange, 2 push buttons 1 NO + 1 NC, 1 lock out push button 1 NO + 1 NC



## Main

Range of product	Preventa XY2
Product or component type	Two-hand control station
Component name	XY2S
Control station composition	2 push-buttons + 1 lock out push-button
Control button type	1 push-button, mushroom, yellow, 1 NC + 1 NO break before make 2 push-buttons, 1 NC + 1 NO break before make

## Complementary

Housing colour	Orange RAL 2008
Surface finish	Painted
Cable entry	1 plain hole for M25 2 plain holes for M20
Mechanical durability	1000000 cycles
Contact code designation	A600 AC-15, Ue = 240 V, Ie = 3 A Q600 DC-13, Ue = 250 V, Ie = 0.27 A conforming to EN/IEC 60947-5-1 appendix A
[Ui] rated insulation voltage	600 V (pollution degree 3) conforming to EN/IEC 60947-1 600 V conforming to UL 508 600 V conforming to CSA C22.2 No 14
[Uimp] rated impulse withstand voltage	6 kV EN/IEC 60947-1
Positive opening	With conforming to EN/IEC 60947-5-1 appendix K
Short-circuit protection	10 A gG cartridge fuse protection conforming to EN/IEC 60269
Electrical durability	1000000 Cycles utilisation category AC-15, operating rate <60 cyc/mn at 120 V, 3 A, load factor: 0.5 conforming to EN/IEC 60947-5-1 appendix C 1000000 Cycles utilisation category AC-15, operating rate <60 cyc/mn at 230 V, 2 A, load factor: 0.5 conforming to EN/IEC 60947-5-1 appendix C 1000000 Cycles utilisation category AC-15, operating rate <60 cyc/mn at 24 V, 4 A, load factor: 0.5 conforming to EN/IEC 60947-5-1 appendix C 1000000 Cycles utilisation category DC-13, operating rate <60 cyc/mn at 110 V, 0.2 A, load factor: 0.5 conforming to EN/IEC 60947-5-1 appendix C 1000000 cycles utilisation category DC-13, operating rate <60 cyc/mn at 24 V, 0.5 A, load factor: 0.5 conforming to EN/IEC 60947-5-1 appendix C
Electrical reliability	Failure rate < 0.0000001 at 17 V, 0.005 A conforming to EN/IEC 60947-5-4 Failure rate < 0.000001 at 5 V, 0.001 A conforming to EN/IEC 60947-5-4
Net weight	4 kg

## Environment

Standards	EN/IEC 60947-5-1 EN 574 ISO 13851
Protective treatment	TC
Ambient air temperature for operation	-25...70 °C
Ambient air temperature for storage	-40...70 °C
Vibration resistance	5 gn (f= 2...500 Hz) conforming to EN/IEC 60068-2-6
Shock resistance	10 gn for 11 ms conforming to EN/IEC 60068-2-27

Electrical shock protection class	Class I conforming to EN/IEC 61140
IP degree of protection	IP65 conforming to EN/IEC 60529

## Packing Units

Unit Type of Package 1	PCE
Number of Units in Package 1	1
Package 1 Weight	5.477 kg
Package 1 Height	19 cm
Package 1 width	20.5 cm
Package 1 Length	46.8 cm
Unit Type of Package 2	P06
Number of Units in Package 2	9
Package 2 Weight	62.293 kg
Package 2 Height	73.5 cm
Package 2 width	80 cm
Package 2 Length	60 cm

## Offer Sustainability

Sustainable offer status	Green Premium product
REACH Regulation	<a href="#">REACH Declaration</a>
EU RoHS Directive	Pro-active compliance (Product out of EU RoHS legal scope) <a href="#">EU RoHS Declaration</a>
Mercury free	Yes
RoHS exemption information	<a href="#">Yes</a>
China RoHS Regulation	<a href="#">China RoHS Declaration</a>
Environmental Disclosure	<a href="#">Product Environmental Profile</a>
WEEE	The product must be disposed on European Union markets following specific waste collection and never end up in rubbish bins

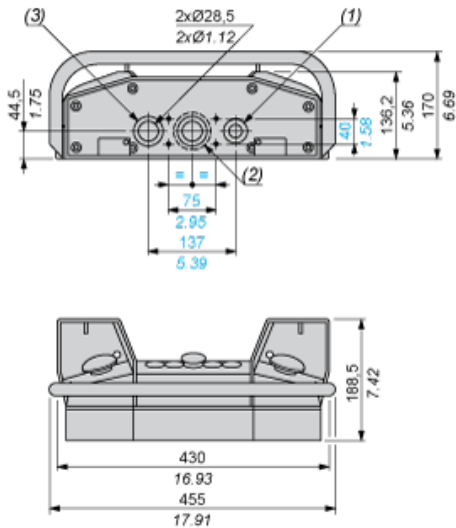
## Contractual warranty

Warranty	18 months
----------	-----------

Control Station

Dimensions

mm  
in.



- (1) 2 plain holes for n° 13 (PG13.5) or ISO M20 cable gland.
- (2) Ø 56 mm/Ø 2.20 in. knock-out specifically for mounting on pedestal.
- (3) 1 plain hole for n° 21 (PG21) cable gland. For ISO M25, use adaptor DE9RA2125 and fixing nut DE9EC21.