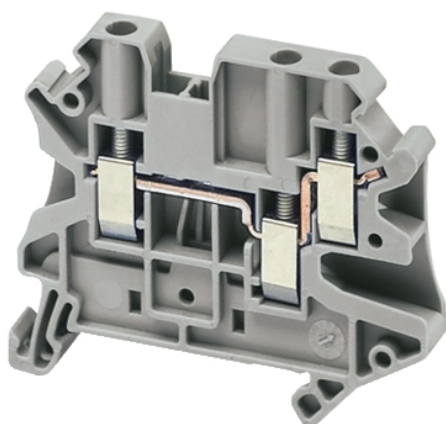


NSYTRV43

SCREW TERMINAL, FEED THROUGH, 3 POINTS, 4MM² , GREY



Main

Range	Lineryg
Product name	Lineryg TR
Product or component type	Terminal block
Device short name	TRV
Accessory / separate part category	Connection accessory
Terminal block type	Passthrough
Terminal block level	1
Mounting mode	Clip-on
Nominal cross section	4 mm ²
Length	57.8 mm
Colour	Grey
Quantity per set	Set of 50

Complementary

Width	6.2 mm
Height	47.5 mm
Connections - terminals	1 x screw terminal: upstream (M3) 2 x screw terminal: downstream (M3)
Number of connections	3
Connection position	Sideways
Number of measurement input	2
Cable cross section	0.14...6 Mm ² , solid cable with cable end 0.2...4 Mm ² , flexible cable with cable end 0.14...6 Mm ² , flexible cable without cable end 0.14...6 mm ² , solid cable without cable end
Tightening torque	0.6...0.8 N.m
Wire stripping length	9 mm
Tool type	Connection: screwdriver Disconnection: screwdriver
[Ue] rated operational voltage	500 V conforming to EN/IEC 60947-7-1 352 V conforming to ATEX Exe II Ex II 2 GD 150 V cURus
[In] rated current	32 A conforming to EN/IEC 60947-7-1 30 A cURus 29 A conforming to ATEX Exe II Ex II 2 GD
Material	Polyamide 6/6: insulating case Copper alloy: connector and screw Copper alloy: commoning link Chromium-nickel steel: spring
Dielectric loss	0.01 at 1 MHz conforming to IEC 60250 0.01 at 1 MHz conforming to VDE 0303-T4
Dielectric constant	3.7 at 1 MHz
Resistivity	10000 MΩ.M conforming to IEC 60093 10000 MΩ.m conforming to VDE 0303-T30
Surface resistance	1000 GΩ conforming to IEC 60093 1000 GΩ conforming to VDE 0303-T30
Creep resistance	500 CTI (> 400 kV) conforming to IEC 60093 500 CTI (> 400 kV) conforming to VDE 0303-T30
Flame retardance	V0, thickness 0.8 mm conforming to UL 94
Net weight	14 g

Range compatibility	Prisma G Prisma P Prisma PH Prisma Pack Spacial Kaedra Pragma TeSys
Product compatibility	Spacial enclosures

Environment

Product certifications	EAC CSA CURus IEC-Ex LR GL ATEX DNV
Dielectric strength	1000 V conforming to IEC 60243-1
Ambient air temperature for operation	-40...130 °C conforming to IEC 60216-1 -40...130 °C conforming to VDE 0304-T21

Packing Units

Unit Type of Package 1	PCE
Number of Units in Package 1	1
Package 1 Weight	13 g
Package 1 Height	5.3 cm
Package 1 width	6.1 cm
Package 1 Length	31.8 cm
Unit Type of Package 2	BB1
Number of Units in Package 2	50
Package 2 Weight	692 g
Package 2 Height	5.3 cm
Package 2 width	6.1 cm
Package 2 Length	31.8 cm
Unit Type of Package 3	S03
Number of Units in Package 3	500
Package 3 Weight	7.456 kg
Package 3 Height	30 cm
Package 3 width	30 cm
Package 3 Length	40 cm

Offer Sustainability

Sustainable offer status	Green Premium product
REACH Regulation	 REACH Declaration
EU RoHS Directive	Compliant  EU RoHS Declaration
Mercury free	Yes
RoHS exemption information	 Yes
China RoHS Regulation	 China RoHS Declaration
Environmental Disclosure	 Product Environmental Profile
WEEE	The product must be disposed on European Union markets following specific waste collection and never end up in rubbish bins
Halogen content performance	Halogen free plastic parts product

Contractual warranty

Warranty	18 months
----------	-----------