

## Main

Accessory / separate part category	Cabling accessory
Accessory / separate part type	Jumper cable

## Complementary

Jumper cable end 1	M12 male 5 pins straight connector with screw-on
Jumper cable end 2	M12 female 5 pins elbowed connector with screw-on
Cable composition	4 x 0.34 mm <sup>2</sup> + 1 x 0.5 mm <sup>2</sup>
Cable length	1 m
Wire insulation material	PUR
Cable outer diameter	5.9 mm
[Ue] rated operational voltage	30 V AC 36 V DC
[In] rated current	4 A
Insulation resistance	>= 1000 MOhm
Maximum resistance across terminals	5000 mOhm
Net weight	0.08 kg

## Environment

IP degree of protection	IP65 IP67 IP69K
Product certifications	CULus
Ambient air temperature for operation	-35...90 °C static -5...90 °C flexing
Ambient air temperature for storage	-35...100 °C

## Packing Units

Package 1 Weight	0.066 kg
Package 1 Height	0.200 dm
Package 1 width	1.600 dm
Package 1 Length	1.600 dm

## Offer Sustainability

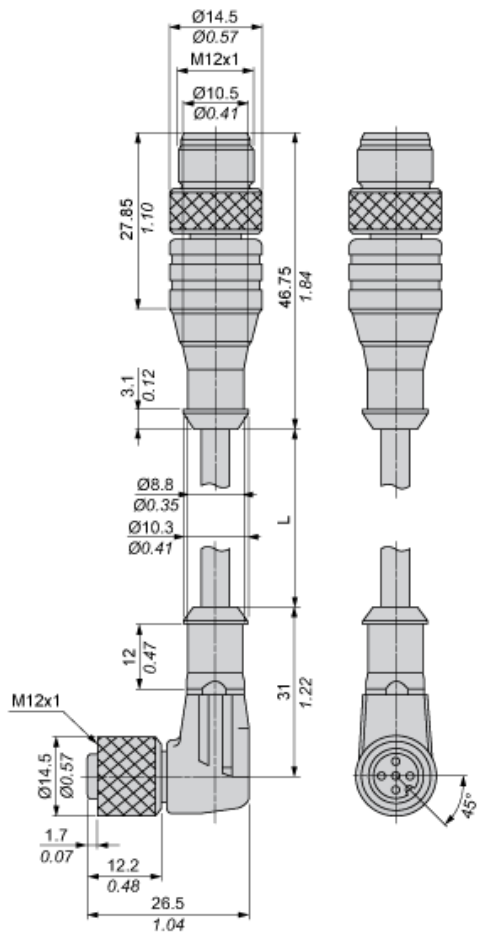
Sustainable offer status	Green Premium product
REACH Regulation	<a href="#">REACH Declaration</a>
EU RoHS Directive	Pro-active compliance (Product out of EU RoHS legal scope) <a href="#">EU RoHS Declaration</a>
Mercury free	Yes
RoHS exemption information	<a href="#">Yes</a>
Environmental Disclosure	<a href="#">Product Environmental Profile</a>
Circularity Profile	<a href="#">End Of Life Information</a>

## Contractual warranty

Warranty	18 months
----------	-----------

Dimensions

mm  
in.



L : Length of cable

## Connections and Schemes

