



## Main

Accessory / separate part category	Cabling accessory
Accessory / separate part type	Jumper cable

## Complementary

Jumper cable end 1	M12 male 3 pins straight connector with screw-on
Jumper cable end 2	Ø 8 mm female 3 pins elbowed connector with clip-on
Cable composition	3 x 0.34 mm <sup>2</sup>
Cable length	1 m
Wire insulation material	PUR
Cable outer diameter	5.2 mm
[Ue] rated operational voltage	60 V AC 75 V DC
[In] rated current	4 A
Insulation resistance	>= 1000 MOhm
Maximum resistance across terminals	5000 mOhm
Net weight	0.05 kg




## Environment

IP degree of protection	IP67
Product certifications	CULus
Ambient air temperature for operation	-35...90 °C static -5...90 °C flexing
Ambient air temperature for storage	-35...100 °C

## Packing Units

Package 1 Weight	0.044 kg
Package 1 Height	0.100 dm
Package 1 width	1.300 dm
Package 1 Length	1.300 dm

## Offer Sustainability

Sustainable offer status	Green Premium product
REACH Regulation	 <a href="#">REACH Declaration</a>
EU RoHS Directive	Pro-active compliance (Product out of EU RoHS legal scope)  <a href="#">EU RoHS Declaration</a>
Mercury free	Yes
RoHS exemption information	 Yes

---

Environmental Disclosure

[Product Environmental Profile](#)

---

Circularity Profile

[End Of Life Information](#)

---

### Contractual warranty

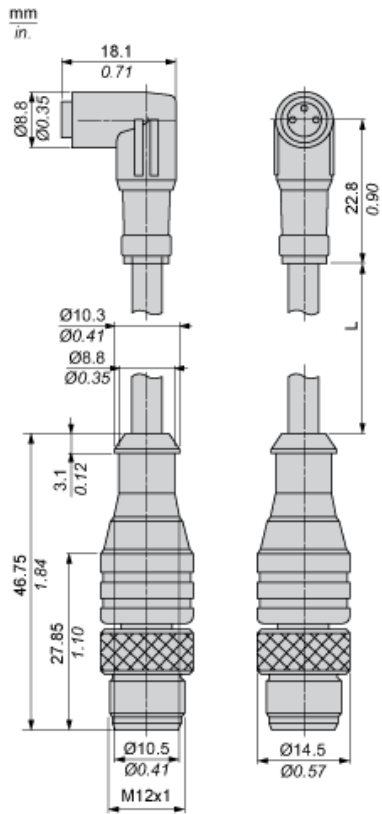
---

Warranty

18 months

---

Dimensions



L : Length of cable

---

## Connections and Schemes

---

