

## Main

Accessory / separate part designation	4-wire connector adaptor
Accessory / separate part category	Cabling accessories
Accessory / separate part type	Connector adaptor
Cable composition	4 x 0.34 mm <sup>2</sup>
Thread type	M20 x 1.5
[In] rated current	4 A

## Complementary

Cable length	100 mm
Total number of wires	4
Electrical connection	1 male connector M12 5 straight
Cable connector fixing	Screw-on
Body material	Plastic
Insulation resistance	> 1000000000 Ohm
Maximum resistance across terminals	5000 mOhm
[Ue] rated operational voltage	30 V AC 36 V DC
Net weight	0.02 kg

## Environment

IP degree of protection	IP67
Ambient air temperature for operation	-25...80 °C

## Packing Units

Unit Type of Package 1	PCE
Number of Units in Package 1	1
Package 1 Weight	10 g
Package 1 Height	2.9 cm
Package 1 width	6.7 cm
Package 1 Length	8.4 cm
Unit Type of Package 2	BAG
Number of Units in Package 2	60
Package 2 Weight	900 g
Package 2 Height	15 cm
Package 2 width	15 cm
Package 2 Length	20 cm
Unit Type of Package 3	S02
Number of Units in Package 3	120
Package 3 Weight	1.513 kg
Package 3 Height	15 cm
Package 3 width	30 cm
Package 3 Length	40 cm

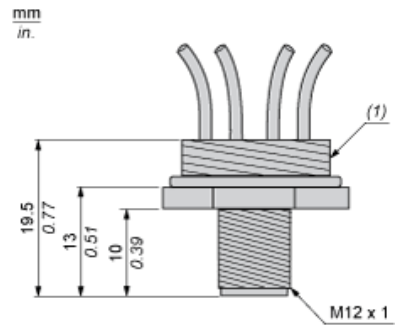
## Offer Sustainability

REACH Regulation	<a href="#">REACH Declaration</a>
EU RoHS Directive	Pro-active compliance (Product out of EU RoHS legal scope) <a href="#">EU RoHS Declaration</a>
Mercury free	Yes
RoHS exemption information	<a href="#">Yes</a>

## Contractual warranty

Warranty	18 months
----------	-----------

Dimensions



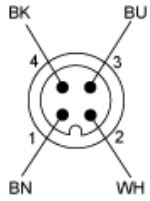
(1) Thread size M20 x 1.5

---

Connections and Schemes

---

Connector



BN : Brown  
BK : Black  
BU : Blue  
WH : White