

Product data sheet

Characteristics

XZCC20MCM30B

male, 1/2 20UNF, 3-pin, elbowed connector - cable gland Pg 7



Main

Range of product	Telemecanique Cabling components
Accessory / separate part category	Cabling accessories
Accessory / separate part type	Connector
Electrical connection	Elbowed male connector 1/2 20 UNF, 3 pins
Collar material	Metal
Status LED	Without
Cable connection	Screw terminal / wire size <math><0.75 \text{ mm}^2</math> / clamping capacity 3...6 mm

Complementary

Cable gland type	Pg 7
Cable connector fixing	Screw-on
[Ue] rated operational voltage	250 V AC
[In] rated current	4 A
Enclosure material	Plastic
Minimum insulating resistance	1000 G Ω
Contact resistance	8000 μOhm
Net weight	0.025 kg

Environment

IP degree of protection	IP67
Ambient air temperature for operation	-40...85 °C

Packing Units

Unit Type of Package 1	PCE
Number of Units in Package 1	1
Package 1 Weight	23 g
Package 1 Height	2 cm
Package 1 width	6 cm
Package 1 Length	8 cm
Unit Type of Package 2	S01
Number of Units in Package 2	20
Package 2 Weight	658 g
Package 2 Height	15 cm
Package 2 width	15 cm
Package 2 Length	40 cm

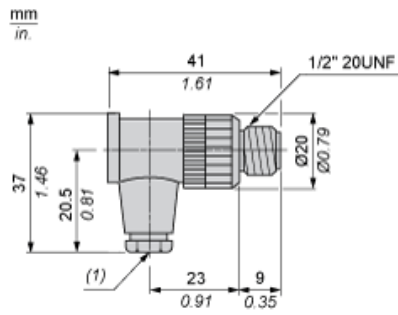
Offer Sustainability

REACH Regulation	REACH Declaration
EU RoHS Directive	Not applicable, out of EU RoHS legal scope

Contractual warranty

Warranty	18 months
----------	-----------

Dimensions



(1) Cable gland : no. 7 plastic (Pg 7)

Connections and Schemes

