

### Main

Range of product	Canalis
Product name	KS
Product or component type	Zed elbow
Busbar description	Fire barrier
Device application	Change direction
[Ie] rated operational current	400 A at 35 °C
Direction change type	Direction 1: edgewise to right - neutral to up Direction 1: edgewise to left - neutral to up

### Complementary

[Ue] rated operational voltage	230...690 V
Network frequency	50/60 Hz
Dimension type	Made to measure
Operating angle	90 °
Electrical connection	Lubricated sliding contact
Mounting mode	By screws
Standards	IEC 61439-6 IEC 60439-2
Width	147 mm
Depth	46 mm
Length	Side 1: 250...745 mm Side 3: 250...745 mm
Colour	White (RAL 9001)
Net weight	9.9 kg




### Environment

IP degree of protection	IP55 conforming to IEC 60529
IK degree of protection	IK08 conforming to IEC 62262

### Packing Units

Package 1 Weight	23.000 kg
Package 1 Height	1.670 dm
Package 1 width	8.640 dm
Package 1 Length	13.900 dm

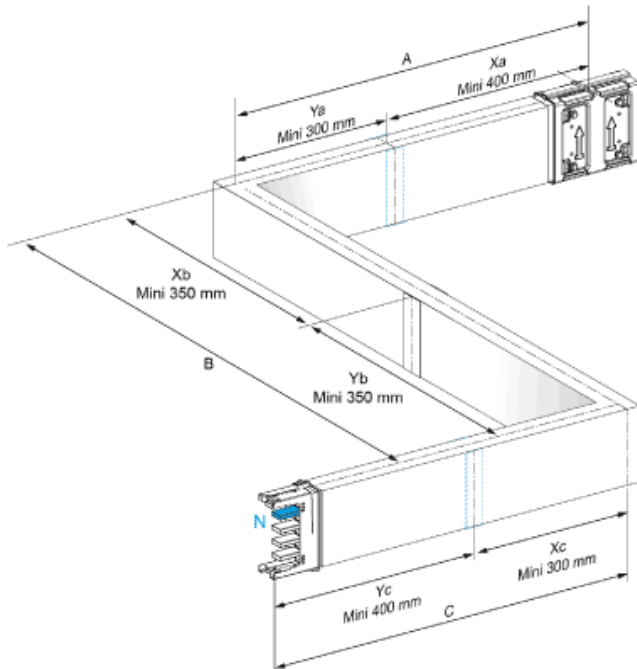
### Offer Sustainability

Sustainable offer status	Green Premium product
REACH Regulation	 <a href="#">REACH Declaration</a>
REACH free of SVHC	Yes
EU RoHS Directive	Compliant  <a href="#">EU RoHS Declaration</a>
Toxic heavy metal free	Yes
Mercury free	Yes
RoHS exemption information	 Yes

China RoHS Regulation	<a href="#">China RoHS Declaration</a>
Environmental Disclosure	<a href="#">Product Environmental Profile</a>
WEEE	The product must be disposed on European Union markets following specific waste collection and never end up in rubbish bins
Halogen content performance	Halogen free product

### Contractual warranty

Warranty	18 months
----------	-----------



**Dimensions** KSA400DZCH4CF

A (mm)	-
B (mm)	-
C (mm)	-
D (mm)	-
Fire barrier	Yes
Fire barrier position	Either on side A or B or C