

Main

Range of product	Canalis
Product name	KS
Product or component type	Zed elbow
Busbar description	Fire barrier
Device application	Change direction
[Ie] rated operational current	400 A at 35 °C
Direction change type	Direction 1: edgewise to right - neutral to up Direction 1: edgewise to left - neutral to up

Complementary

[Ue] rated operational voltage	230...690 V
Network frequency	50/60 Hz
Dimension type	Made to measure
Operating angle	90 °
Electrical connection	Lubricated sliding contact
Mounting mode	By screws
Standards	IEC 61439-6 IEC 60439-2
Width	147 mm
Depth	46 mm
Length	Side 1: 250...745 mm Side 3: 250...745 mm
Colour	White (RAL 9001)
Net weight	9.9 kg




Environment

IP degree of protection	IP55 conforming to IEC 60529
IK degree of protection	IK08 conforming to IEC 62262

Packing Units

Package 1 Weight	23.000 kg
Package 1 Height	1.670 dm
Package 1 width	8.640 dm
Package 1 Length	13.900 dm

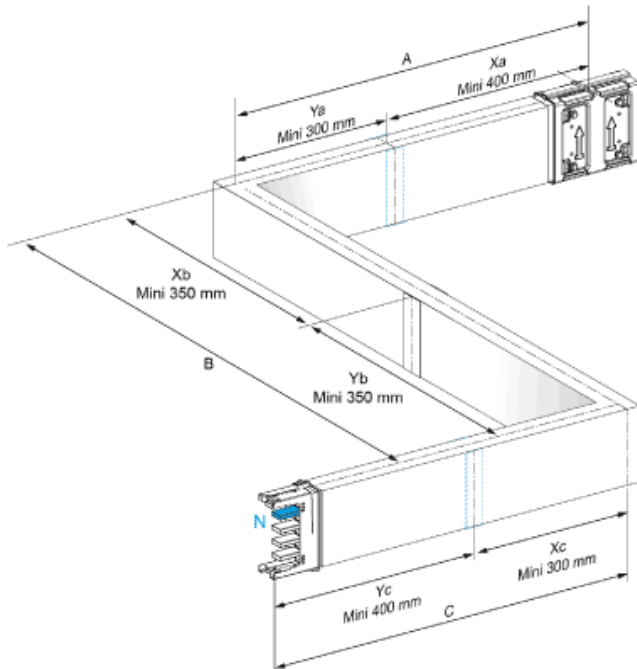
Offer Sustainability

Sustainable offer status	Green Premium product
REACH Regulation	 REACH Declaration
REACH free of SVHC	Yes
EU RoHS Directive	Compliant  EU RoHS Declaration
Toxic heavy metal free	Yes
Mercury free	Yes
RoHS exemption information	 Yes

China RoHS Regulation	China RoHS Declaration
Environmental Disclosure	Product Environmental Profile
WEEE	The product must be disposed on European Union markets following specific waste collection and never end up in rubbish bins
Halogen content performance	Halogen free product

Contractual warranty

Warranty	18 months
----------	-----------



Dimensions KSA400DZCG4CF

A (mm)	-
B (mm)	-
C (mm)	-
D (mm)	-
Fire barrier	Yes
Fire barrier position	Either on side A or B or C