

### Main

Range of product	Canalis
Product name	KS
Product or component type	Elbow
Busbar description	Standard on made to measure
Bar material	Aluminium
Device application	Change direction
[Ie] rated operational current	100 A at 35 °C
Direction change type	Direction 1: flat to downward -

### Complementary

[Ue] rated operational voltage	230...690 V
Network frequency	50/60 Hz
Operating angle	90...180 °
Mounting location	On trunking
Mounting position	Any position
Electrical connection	Lubricated sliding contact
Mounting mode	By screws
Width	147 mm
Depth	46 mm
Height	250...745 mm




### Environment

Standards	IEC 61439-6 IEC 60439-2
-----------	----------------------------

### Packing Units

Package 1 Weight	34.000 kg
Package 1 Height	0.630 dm
Package 1 width	8.700 dm
Package 1 Length	8.700 dm

### Offer Sustainability

Sustainable offer status	Green Premium product
REACH Regulation	 <a href="#">REACH Declaration</a>
REACH free of SVHC	Yes
EU RoHS Directive	Compliant  <a href="#">EU RoHS Declaration</a>
Toxic heavy metal free	Yes
Mercury free	Yes
RoHS exemption information	 Yes
China RoHS Regulation	 <a href="#">China RoHS Declaration</a>
Environmental Disclosure	 <a href="#">Product Environmental Profile</a>

---

WEEE	The product must be disposed on European Union markets following specific waste collection and never end up in rubbish bins
Halogen content performance	Halogen free product

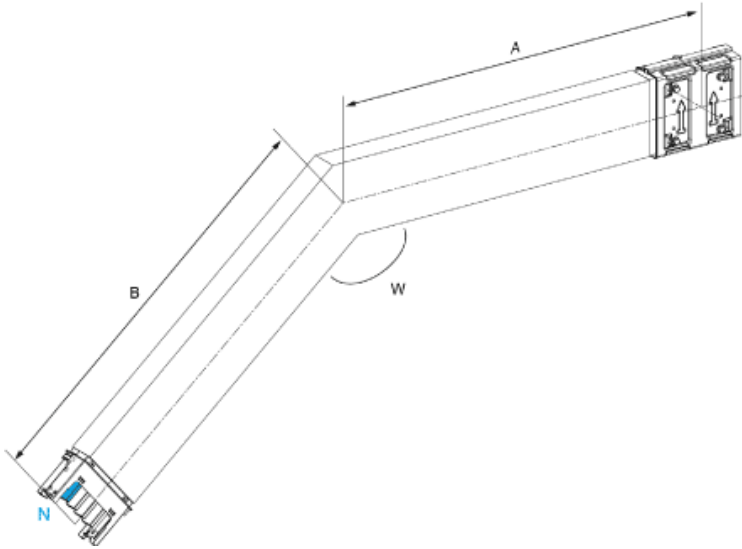
---

### Contractual warranty

---

Warranty	18 months
----------	-----------

---



### Dimensions

KSA250DLF4B

A (mm)	250 to 745
B (mm)	250 to 745
C (mm)	-
D (mm)	-
Fire barrier	No
Fire barrier position	-