

Main

Range of product	Canalis
Product name	KS
Offer type	Standard
Product or component type	Elbow
Busbar description	Standard on made to measure
Bar material	Aluminium
Device application	Change direction
[Ie] rated operational current	400 A at 35 °C
Direction change type	Direction 1: flat to upward -

Complementary

[Ue] rated operational voltage	230...690 V
Network frequency	50/60 Hz
Operating angle	90 °
Mounting location	On trunking
Mounting position	Any position
Electrical connection	Lubricated sliding contact
Mounting mode	By screws
Width	147 mm
Depth	63 mm
Height	250...745 mm
Net weight	6.8 kg




Environment

Standards	IEC 61439-6 IEC 60439-2
-----------	----------------------------

Packing Units

Unit Type of Package 1	PCE
Number of Units in Package 1	1
Package 1 Weight	42 kg
Package 1 Height	6.3 cm
Package 1 width	87 cm
Package 1 Length	87 cm

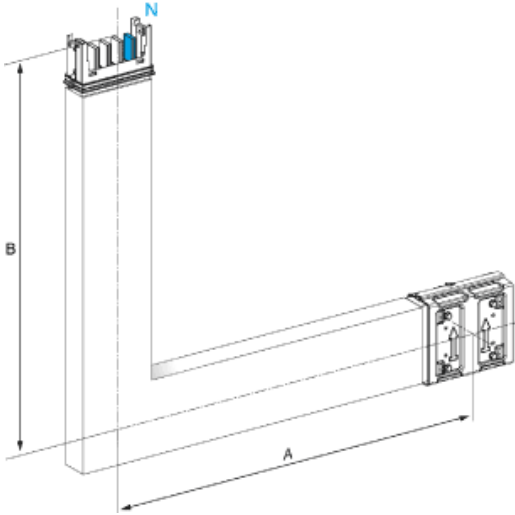
Offer Sustainability

Sustainable offer status	Green Premium product
REACH Regulation	 REACH Declaration
REACH free of SVHC	Yes
EU RoHS Directive	Compliant  EU RoHS Declaration
Toxic heavy metal free	Yes
Mercury free	Yes
RoHS exemption information	 Yes

China RoHS Regulation	China RoHS Declaration
Environmental Disclosure	Product Environmental Profile
WEEE	The product must be disposed on European Union markets following specific waste collection and never end up in rubbish bins
Halogen content performance	Halogen free product

Contractual warranty

Warranty	18 months
----------	-----------



Dimensions KSA400DLE4A

A (mm)	250 to 745
B (mm)	250 to 745
C (mm)	-
D (mm)	-
Fire barrier	No
Fire barrier position	-