



### Main

Range of product	Advantys ABE9
Product or component type	IP67 passive splitter box
Number of channels	4
Electrical connection	1 male plug-in connector 4 female connectors M12 5 pins
Status LED	1 LED per channel (yellow)channel status 2 LEDs (green)power ON

### Complementary

Number of ways	8 ways
[Ue] rated operational voltage	24 V DC
Current per channel	4 A
Insulation group	Category 3 conforming to VDE 0110
Operating position	Any position
Fixing mode	M4 screw fixing
Contact resistance	5000 µOhm
Current of common	16 A 1 mm <sup>2</sup> 12 A 0.75 mm <sup>2</sup>
Separation of commons	Without or with
Net weight	0.06 kg

### Environment

IP degree of protection	IP67 conforming to IEC 529
Product certifications	CULus
Ambient air temperature for operation	-20...80 °C
Ambient air temperature for storage	-40...85 °C
Vibration resistance	0.2 gn (f= 57...150 Hz) conforming to IEC 68-2-6, FC tests
Shock resistance	30 gn for 11 ms conforming to EN 68-2-2 30 gn for 11 ms conforming to IEC 68-2-2

### Packing Units

Unit Type of Package 1	PCE
Number of Units in Package 1	1
Package 1 Weight	96 g
Package 1 Height	4 cm
Package 1 width	5.7 cm
Package 1 Length	15.5 cm
Unit Type of Package 2	S02
Number of Units in Package 2	24
Package 2 Weight	2.754 kg
Package 2 Height	15 cm
Package 2 width	30 cm
Package 2 Length	40 cm

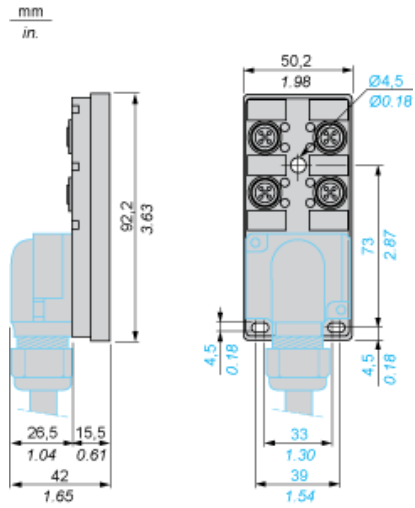
## Offer Sustainability

EU RoHS Directive	Pro-active compliance (Product out of EU RoHS legal scope) <a href="#">EU RoHS Declaration</a>
Toxic heavy metal free	Yes
Mercury free	Yes
RoHS exemption information	<a href="#">Yes</a>
China RoHS Regulation	<a href="#">China RoHS Declaration</a>
Environmental Disclosure	<a href="#">Product Environmental Profile</a>
Circularity Profile	<a href="#">End Of Life Information</a>
WEEE	The product must be disposed on European Union markets following specific waste collection and never end up in rubbish bins

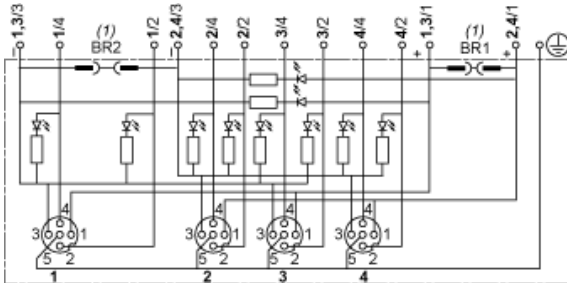
## Contractual warranty

Warranty	18 months
----------	-----------

Dimensions with ABE9XCA14 Connector



Wiring Diagram



(1) BR1 and BR2: removable link

Item	Terminal	Wire
1/4	1	White
1/2	9	Grey/pink
2/4	2	Green
2/2	10	Red/blue
3/4	3	Yellow
3/2	11	White/green
4/4	4	Grey
4/2	12	Brown/green
1 and 3/1	+1	Brown 1
2 and 4/1	+2	Brown 2
1 and 3/3	-1	Blue 1
2 and 4/3	-2	Blue 2
1...4/5	PE	Green/yellow

Connection Terminals

