



Main

Range of product	Modicon STB distributed I/O solution
Product or component type	Standard digital output kit
Kit composition	STBXTS1100, 5-terminal screw type connector STBDAO8210 module STBXTS2110, 5-terminal spring clamp connector STBXBA2000 base
Discrete output number	2
Discrete output type	Triac
Discrete output voltage	115...230 V
Discrete output voltage type	AC

Complementary

Discrete output current	1000 mA 60 °C 2000 mA 30 °C
Discrete output logic	Positive or negative
Output voltage	20...265 V AC
Absolute maximum voltage	300 V 10 s 400 V 20 ms
Response time	10 ms off-to-on 10.5 ms on-to-off
Cold swapping	Yes
Hot swapping	Yes for standard NIMs
Fallback	State 0 basic NIMs User configurable standard NIMs
Protection type	Output surge protection varistance and RC circuit
Insulation between channels and logic bus	1780 V for 1 minute
Maximum leakage current	2 MA at state 0 115 V 2.5 mA at state 0 230 V
Surge current	20 A 40 ms 30 A 20 ms
Minimum load	5 mA
Reset	Manual or automatic reset COM fault
Product compatibility	I/O base STBXBA2000 Power distribution module STBPDT2100/2105
Supply	Power distribution module
Current consumption	45 mA at 5 V DC for logic bus
Marking	CE
Overvoltage category	II
Status LED	1 LED (green)module status (RDY) 1 LED per channel (green)channel status (OUT1 to OUT2) 1 LED (red)module error (ERR)
Height	18.4 mm
Depth	70 mm
Width	128.3 mm
Net weight	0.125 kg

Environment

Standards	EN/IEC 61131-2
Product certifications	UL CSA FM Class 1 Division 2
Pollution degree	2 conforming to IEC 60664-1
Operating altitude	<= 2000 m
IP degree of protection	IP20 conforming to EN 61131-2 class 1
Ambient air temperature for operation	0...60 °C (without derating)
Ambient air temperature for operation	32...140 °F without derating
Ambient air temperature for storage	-40...85 °C without derating
Ambient air temperature for storage	-40...185 °F without derating
Relative humidity	95 % at 60 °C without condensation
Vibration resistance	3 gn at 58...150 Hz on 35 x 7.5 mm symmetrical DIN rail 5 gn at 58...150 Hz on 35 x 15 mm symmetrical DIN rail +/-0.35 mm at 10...58 Hz
Shock resistance	30 gn for 11 ms conforming to IEC 88 reference 2-27

Packing Units

Package 1 Weight	0.142 kg
Package 1 Height	27.000 mm
Package 1 width	80.000 mm
Package 1 Length	130.000 mm

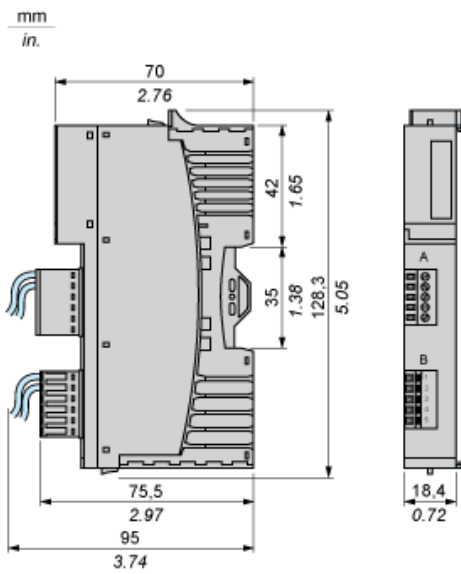
Offer Sustainability

Sustainable offer status	Green Premium product
REACH Regulation	REACH Declaration
EU RoHS Directive	Pro-active compliance (Product out of EU RoHS legal scope) EU RoHS Declaration
Mercury free	Yes
RoHS exemption information	Yes
China RoHS Regulation	China RoHS Declaration
Environmental Disclosure	Product Environmental Profile
Circularity Profile	End Of Life Information
WEEE	The product must be disposed on European Union markets following specific waste collection and never end up in rubbish bins

Contractual warranty

Warranty	18 months
----------	-----------

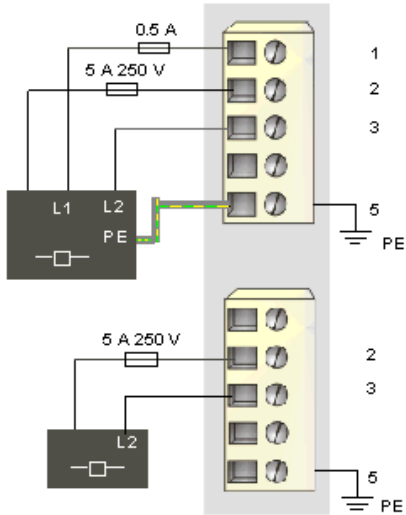
Dimensions



Wiring Diagram

Example

1 three-wire actuator and 1 two-wire actuator



Pin	Top Connector	Bottom Connector
1	actuator bus power (L1)	actuator bus power (L1)
2	output to actuator 1 (common with L1)	output to actuator 2 (common with L1)
3	field power neutral or L2	field power neutral or L2
4	field power neutral or L2	field power neutral or L2
5	protective earth	protective earth