



Main

Range of product	Modicon ETB
Product or component type	I/O distributed module
Number of input channels	1...16 configurable
Number of output channels	1...16 (configurable)
Module type	Modbus TCP/IP

Complementary

Input type	Contact
Input logic	Positive Negative
Maximum delay response	2.5 ms
Output current	2 A per module 8 A per output
Output protection type	Against short-circuits
Switching frequency	200 Hz
Short-circuit current	6.5 A
[Us] rated supply voltage	24 V DC
Connector type	M12
Standards	IEC 60068-2-8 IEC 60529

Environment

IP degree of protection	IP67
Ambient air temperature for operation	-25...70 °C
Ambient air temperature for storage	-40...85 °C
Vibration resistance	10 gn

Packing Units

Unit Type of Package 1	PCE
Number of Units in Package 1	1
Package 1 Weight	570 g
Package 1 Height	4.1 cm
Package 1 width	6.2 cm
Package 1 Length	22.5 cm

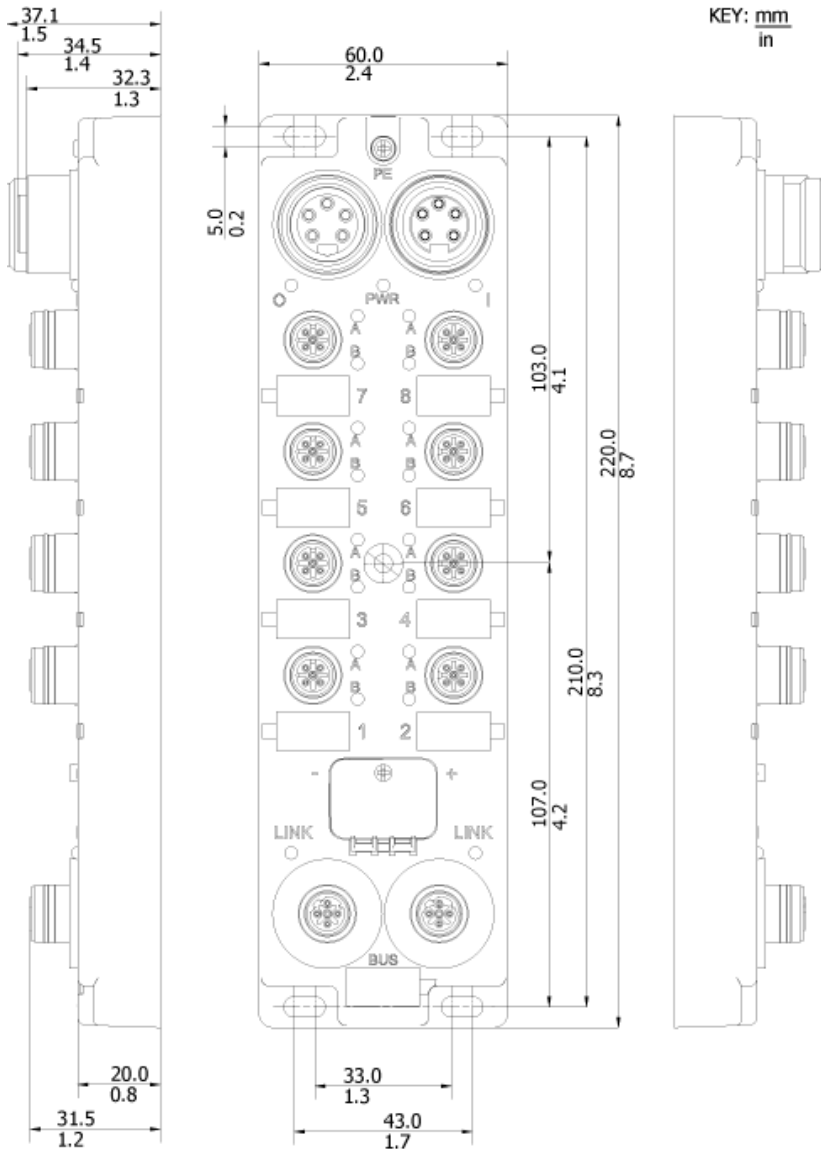
Offer Sustainability

EU RoHS Directive	Pro-active compliance (Product out of EU RoHS legal scope) EU RoHS Declaration
China RoHS Regulation	China RoHS Declaration
WEEE	The product must be disposed on European Union markets following specific waste collection and never end up in rubbish bins

Contractual warranty

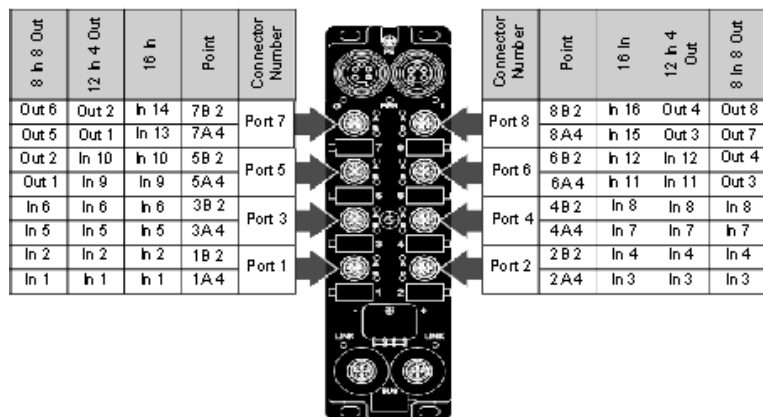
Warranty	18 months
----------	-----------

Dimensions

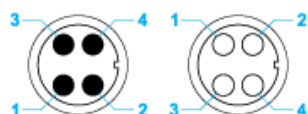


I/O Assignments

Select the number of inputs/outputs according to the product characteristics in order to get the I/O assignment.



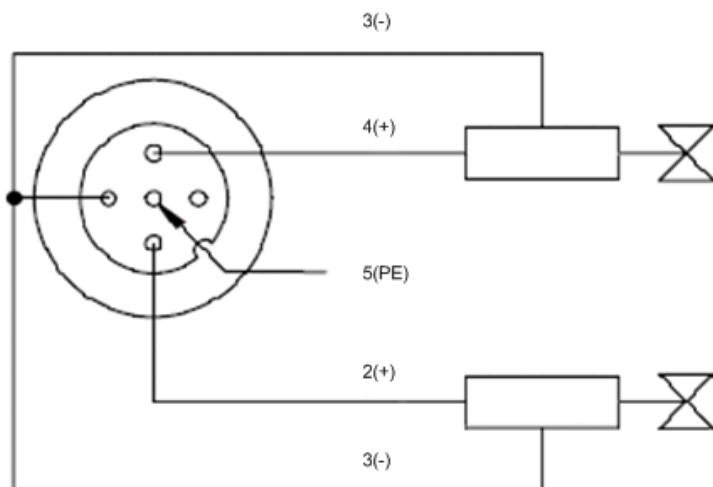
Power Connectors



- 1 output power (24V)
- 2 module/input power (24V)
- 3 module/input power (0V)
- 4 output power (0V)

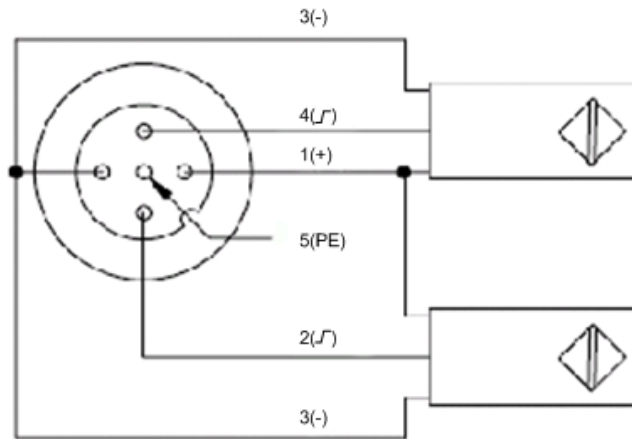
2-Output Port

IEC Wiring Diagram with 2 Actuators



2-Input Port

IEC Wiring Diagram with 2 Sensors



Input/Output Port

IEC Wiring Diagram with 1 Sensor and 1 Actuator

