



Main

Range of product	Modicon Momentum automation platform
Product or component type	Discrete output base AC
Group of channels	2 groups of 8 outputs
Discrete output number	16
Discrete output type	Triac
Discrete output voltage	230 V AC
Current per channel	0.5 A
Short-circuit protection	Internal fuse, 5 A slow-blow per group
Protective treatment	TC

Complementary

[Ue] rated operational voltage	230 V AC
Discrete output current	4 A per group 8 A per module
Minimum output current	30 mA
Maximum leakage current	2.4 mA 230 V AC
Surge current	10 A for 2 cycles 15 A for 1 cycle 5 A for 3 cycles
Maximum voltage drop	<1.5 V 0.5 A at state 1
Output overload protection	Internal fuse
Response time	1/2 x 1/f (= 0.5 of one line cycle) from state 0 to state 1 1/2 x 1/f (= 0.5 of one line cycle) from state 1 to state 0
Isolation between channels and bus	1780 V AC for 1 minute
Power dissipation	6 W typical 7.5 W maximum
Marking	CE
Local signalling	16 LEDs for channel status
Current consumption	65 mA at 230 V AC
Terminals description PLC n°1	(7)OUT_DIS#7 (10)OUT_DIS#10 (6)OUT_DIS#6 (1)OUT_DIS#1 (8)OUT_DIS#8 (2)OUT_DIS#2 (5)OUT_DIS#5 (9)OUT_DIS#9 (1N)PW (1L+)PW (11)OUT_DIS#11 (13)OUT_DIS#13 (4)OUT_DIS#4 TB (12)OUT_DIS#12 (16)OUT_DIS#16 (14)OUT_DIS#14 (15)OUT_DIS#15 (3)OUT_DIS#3
Depth	47.5 mm
Height	141.5 mm
Width	125 mm
Net weight	0.284 kg

Environment

Product certifications	UL CSA FM Class 1 Division 2
Resistance to electrostatic discharge	4 KV contact conforming to IEC 801-2 8 kV on air conforming to IEC 801-2
Resistance to electromagnetic fields	10 V/m 80...1000 MHz conforming to IEC 801-3
Ambient air temperature for operation	0...60 °C
Ambient air temperature for storage	-40...85 °C
Relative humidity	95 % without condensation
Operating altitude	<= 5000 m

Packing Units

Package 1 Weight	0.482 kg
Package 1 Height	95.000 mm
Package 1 width	180.000 mm
Package 1 Length	260.000 mm

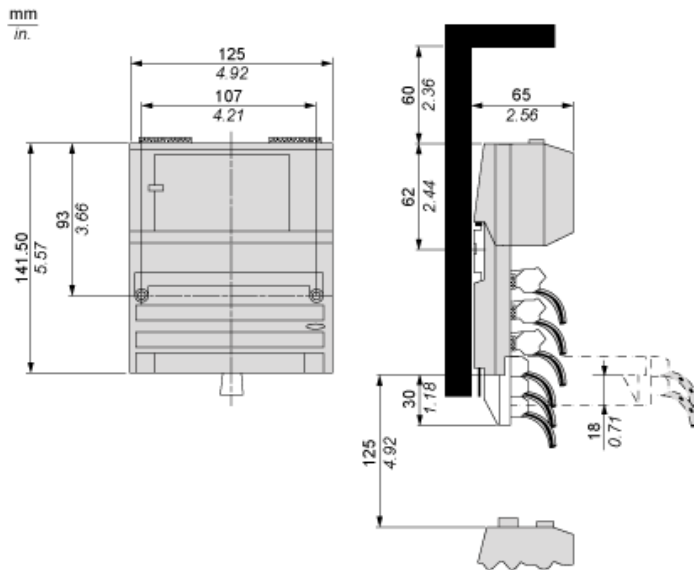
Offer Sustainability

Sustainable offer status	Green Premium product
REACH Regulation	REACH Declaration
EU RoHS Directive	Pro-active compliance (Product out of EU RoHS legal scope) EU RoHS Declaration
Mercury free	Yes
RoHS exemption information	Yes
China RoHS Regulation	China RoHS Declaration
Environmental Disclosure	Product Environmental Profile
Circularity Profile	End Of Life Information
WEEE	The product must be disposed on European Union markets following specific waste collection and never end up in rubbish bins

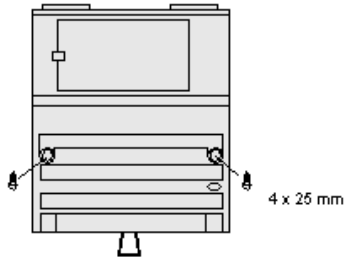
Contractual warranty

Warranty	18 months
----------	-----------

Standard Adapter on a Discrete VAC Base

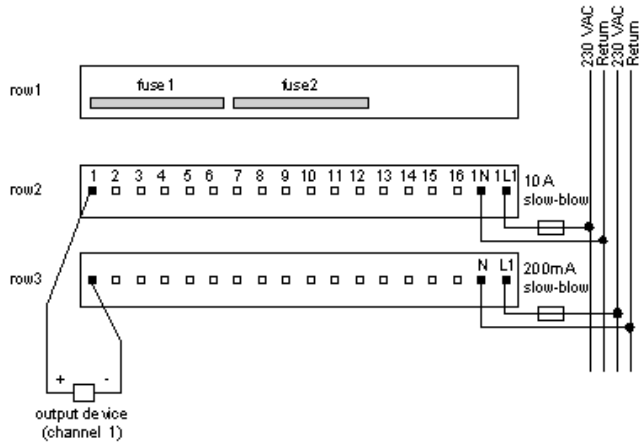


Mounting on a Wall

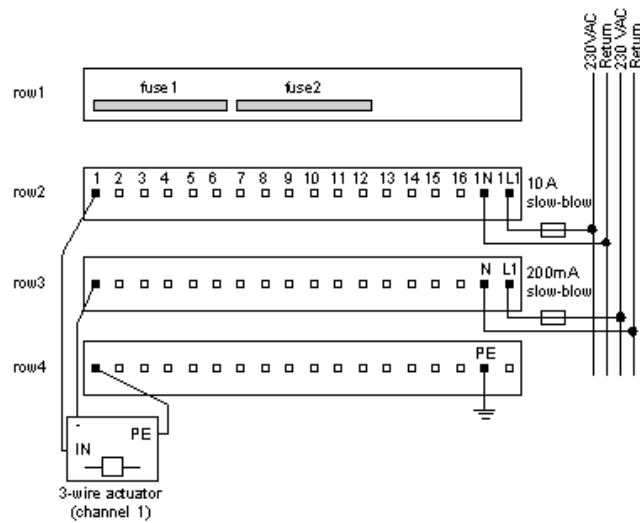


External Wiring Diagrams

2-Wire Device



3-Wire Device



Internal Pin Connections

Rows 1 through 3 show the internal connections between terminals on the I/O base. Row 4 shows the internal connections on the optional busbar.

