



Main

| | |
|---------------------------|---|
| Range of product | Zelio Logic |
| Product or component type | GSM modem |
| Type of modem | Type quad band 900/1800 MHz, 850/1900 MHz |
| Data backed up | Flash memory |

Complementary

| | |
|---------------------------|---|
| Kit composition | GSM modem Fixing on DIN rail (assembled with the GSM modem) 1 supply cable 1 antenna with cable 2 lugs for plate mounting |
| Function available | Send alarm/receive instruction Send alarm to e-mail address Transfer program Update firmware monitoring |
| Number of messages | 28 |
| Electrical data recording | Telephone/E-mail Discrete and digital value Date and time |
| [Us] rated supply voltage | 12...24 V DC |
| Supply voltage limits | 5.5...32 V |
| Maximum supply current | 165 mA at 12 V 87 A at 24 V 2100 mA at 5.5 V |
| Power dissipation in W | 2.1 W |
| Associated fuse rating | 2.5 A |
| Electrical connection | 1 cable Com-M Com-M specific to Zelio RS232 serial, specific Zelio communication protocol for link with the modem, AT commands 1 antenna with cable 1 cable 1 cable Com-Z Com-Z specific to Zelio, specific Zelio communication protocol for Zelio Logic smart relays SR.B..... and SR2 E..... Version (>= V3.1) Supply cable |
| Cable length | 1.5 M supply cable 2.5 m antenna with cable |
| Insulation | 1780 V optocoupler, connector type: Com-Z specific to Zelio By the cable SR2 CBL07, connector type: Com-M specific to Zelio |
| Connections - terminals | Screw terminals, 1 x 0.25...1 x 2.5 mm ² (AWG 24...AWG 14) flexible with cable end Screw terminals, 2 x 0.25...2 x 0.75 mm ² (AWG 24...AWG 18) flexible with cable end Screw terminals, 1 x 0.25...1 x 2.5 mm ² (AWG 24...AWG 14) semi-solid Screw terminals, 1 x 0.25...1 x 2.5 mm ² (AWG 24...AWG 14) solid Screw terminals, 2 x 0.25...2 x 1.5 mm ² (AWG 23...AWG 16) solid |
| Tightening torque | 0.5 N.m |
| Net weight | 0.335 kg |

Environment

| | |
|---------------------------------------|---|
| Product certifications | UL PTCRB GOST CSA IC FCC part 15 standard C-Tick |
| Standards | EN/IEC 60068-2-6 Fc EN/IEC 60068-2-32 |
| Electromagnetic compatibility | Conducted and radiated emissions class B group 1 conforming to EN 55022-11 |
| IP degree of protection | IP31 conforming to IEC 60529 |
| Environmental characteristic | Low voltage directive conforming to EN/IEC 60950-1 R and TTE directive conforming to ETSI EN 301419-1 R and TTE directive conforming to ETSI EN 301 489-7 R and TTE directive conforming to ETSI EN 301 511 EMC directive conforming to ETSI EN 301 489-1 |
| Pollution degree | 2 conforming to EN/IEC 61131-2 |
| Ambient air temperature for operation | -20...55 °C conforming to IEC 60068-2-2 -20...55 °C conforming to IEC 60068-2-2 |
| Ambient air temperature for storage | -40...70 °C |
| Operating altitude | 2000 m |
| Maximum altitude transport | 3048 m |
| Relative humidity | 0...95 % at 55 °C without condensation 0...95 % without condensation, during storage |

Packing Units

| | |
|------------------------------|----------|
| Unit Type of Package 1 | PCE |
| Number of Units in Package 1 | 1 |
| Package 1 Weight | 318 g |
| Package 1 Height | 7.5 cm |
| Package 1 width | 7.5 cm |
| Package 1 Length | 14.7 cm |
| Unit Type of Package 2 | S03 |
| Number of Units in Package 2 | 20 |
| Package 2 Weight | 6.895 kg |
| Package 2 Height | 30 cm |
| Package 2 width | 30 cm |
| Package 2 Length | 40 cm |

Offer Sustainability

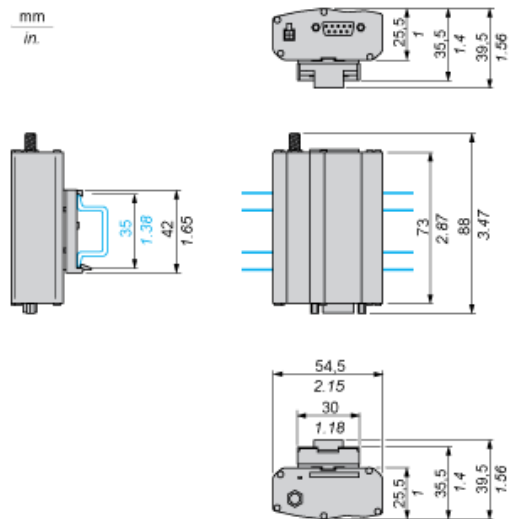
| | |
|----------------------------|--|
| REACH Regulation | REACH Declaration |
| EU RoHS Directive | Pro-active compliance (Product out of EU RoHS legal scope) EU RoHS Declaration |
| Mercury free | Yes |
| RoHS exemption information | Yes |
| China RoHS Regulation | China RoHS Declaration |
| PVC free | Yes |

Contractual warranty

| | |
|----------|-----------|
| Warranty | 18 months |
|----------|-----------|

GSM Modem

Rail Mounting



Screw Fixing

