

# PFXDM6600WC

12w Display module, PS6000, WXGA, 16M colors, PCAP Multi Touch (2 points) with optimized noise filter



## Main

Range of product	PS6000
Product or component type	Touch panel screen
Terminal type	Touchscreen display
Inrush current	30 A
Power consumption in W	73 W (typical) with advanced box 138 W (maximum) with advanced box 51 W (typical) with standard box 69 W (maximum) with standard box

## Complementary

Device mounting	Panel mounting Direct mounting VESA
Function available	Standard mode Glove mode Water detection mode
Pixel resolution	1280 x 800
Display resolution	1280 x 800 pixels WXGA
Display size	12.1 inch
Aspect ratio	16:9
Display type	LED not replaceable Colour TFT LCD
Display colour	16 million colours
Backlight lifespan	50000 hours at 25 °C
Touch panel	Multi-touch projected capacitive technology (PCT) with optimized noise filter
Type of installation	Indoor installation
Type of cooling	Natural
Cut-out dimensions	295 (+ 1/- 0) x 217 (+ 1/- 0) mm
Width	308.5 mm
Height	230.5 mm
Depth	30 mm enclosure:
Net weight	2.6 kg

The information provided in this documentation contains general descriptions and/or technical characteristics of the performance of the products contained herein. This documentation is not intended as a substitute for and is not to be used for determining suitability or reliability of these products for specific user applications. It is the duty of any such user or integrator to perform the appropriate and complete risk analysis, evaluation and testing of the products with respect to the relevant specific application or use thereof. Neither Schneider Electric Industries SAS nor any of its affiliates or subsidiaries shall be responsible or liable for misuse of the information contained herein.

## Environment

IP degree of protection	IP66f IP67f Type 1 Type 4X Type 12 Type 13
Standards	CE FCC part 15 UL 61010-2-201 CSA C22.2 No 61010-2-201
Product certifications	RCM[RETURN]KC[RETURN]EAC[RETURN]UKCA[RETURN]DNV (DC model without HDD/fan/ EtherCAT card/22" wide display with expansion slot) [RETURN]ATEX zone 2 (DC model, front USB cover must be locked with screw) [RETURN]ATEX zone 22 dust (DC model, front USB cover must be locked with screw) [RETURN]CULus Class 1 Division 2 (without DIO option)[RETURN]IECEEx zone 2 (DC model, front USB cover must be locked with screw)[RETURN]IECEEx zone 22 (DC model, front USB cover must be locked with screw)
Ambient air temperature for operation	0...60 °C
Ambient air temperature for storage	-20...60 °C
Pollution degree	2
Relative humidity	10...90 % without condensation
Storage Relative Humidity	10...90 % without condensation
Operating altitude	2000 m
Vibration resistance	1 gn (f = 5...9 Hz) single amplitude conforming to IEC 61131-2 1 gn (f = 9...150 Hz) fixed amplitude conforming to IEC 61131-2 1 gn X, Y, Z directions for 10 cycles (approx. 100 min) conforming to IEC 61131-2
Shock resistance	147 m/s <sup>2</sup> conforming to IEC 61131-2 147 m/s <sup>2</sup> 3 shocks in each direction X, Y and Z
Electromagnetic compatibility	Electrostatic discharge immunity test - test level: 6 kV (contact discharge) conforming to IEC 61000-4-2 level 3 Electrostatic discharge immunity test - test level: 8 kV (air discharge) conforming to IEC 61000-4-2 level 3 Electrical fast transient/burst immunity test - test level: 2 kV (power ports) conforming to IEC 61000-4-4 Electrical fast transient/burst immunity test - test level: 1 kV (signal ports) conforming to IEC 61000-4-4
Environmental characteristic	Dust resistant 0.1 mg/m <sup>3</sup> (non-conductive) Corrosive gas free

## Packing Units

Unit Type of Package 1	PCE
Number of Units in Package 1	1
Package 1 Height	40.0 cm
Package 1 Width	15.0 cm
Package 1 Length	40.0 cm
Package 1 Weight	3.3 kg
Unit Type of Package 2	P12
Number of Units in Package 2	24
Package 2 Height	150.0 cm
Package 2 Width	80.0 cm
Package 2 Length	120.0 cm
Package 2 Weight	89.2 kg

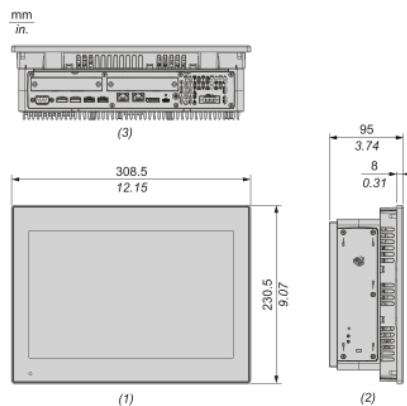
## Offer Sustainability

REACH Regulation	 <a href="#">REACH Declaration</a>
REACH free of SVHC	Yes
EU RoHS Directive	Pro-active compliance (Product out of EU RoHS legal scope)
Mercury free	Yes
China RoHS Regulation	 <a href="#">China RoHS Declaration</a>
RoHS exemption information	 Yes

Dimensions

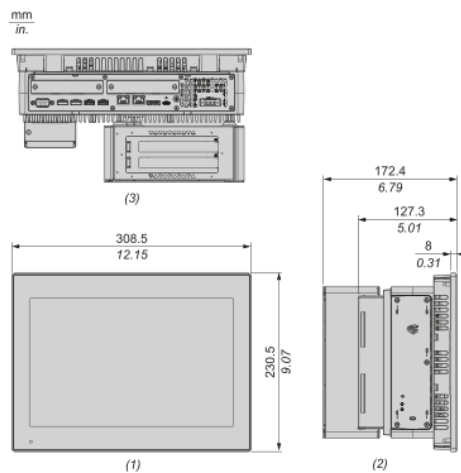
12-inch Wide Advanced Model

External Dimensions



- (1) : Front
- (2) : Left
- (3) : Bottom

External dimensions with PCI/PCle slots and Fan kit

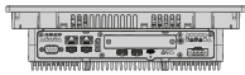


- (1) : Front
- (2) : Left
- (3) : Bottom

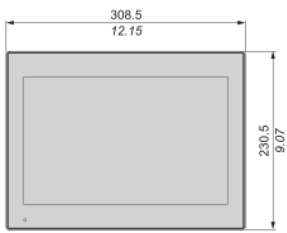
12-inch Wide Standard Model

External Dimensions

mm  
in.



(3)



(1)

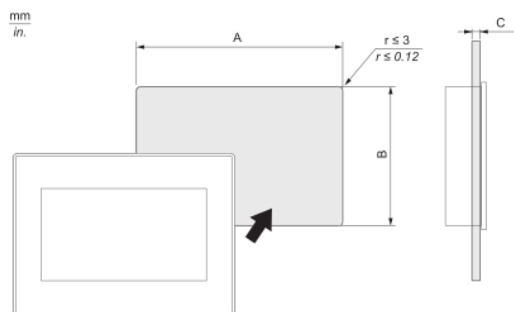


(2)

- (1) : Front
- (2) : Left
- (3) : Bottom

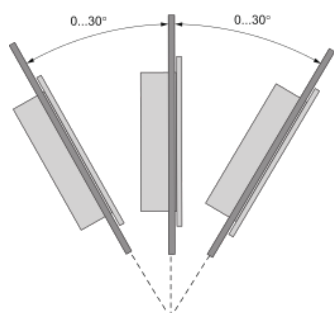
Mounting

Panel Cut Dimensions



A		B		C	
mm	in.	mm	in.	mm	in.
295 (+1, -0)	11.61 (+0.04, -0)	217 (+1, -0)	8.54 (+0.04, -0)	1.6...5	0.06...0.2

Mounting Angle



When installing this product in a slanted position, the product face should not incline more that 30°.

Clearance

