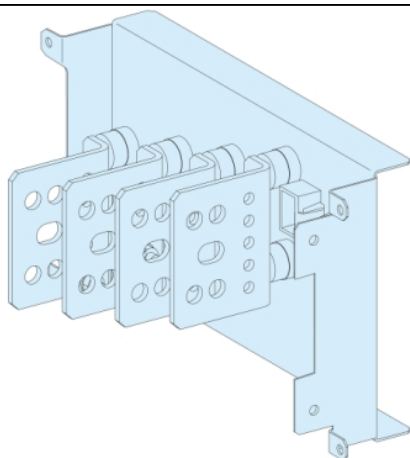


# LVS04430

Connection transfer assembly, PrismaSeT P,  
universal in duct for 250A 4P, W650mm



## Main

Range	PrismaSeT
Range of product	PrismaSeT P
Product or component type	Connection transfer assembly
Product name	PrismaSeT PrismaSeT P enclosure
Accessory / separate part category	Current distribution accessory
Standards	IEC 61439-2, inside enclosure IEC 61439-1, inside enclosure
Product certifications	ASTA

The information provided in this documentation contains general descriptions and/or technical characteristics of the performance of the products contained herein. This documentation is not intended as a substitute for and is not to be used for determining suitability or reliability of these products for specific user applications. It is the duty of any such user or integrator to perform the appropriate and complete risk analysis, evaluation and testing of the products with respect to the relevant specific application or use thereof. Neither Schneider Electric Industries SAS nor any of its affiliates or subsidiaries shall be responsible or liable for misuse of the information contained herein.

## Complementary

Cubicle-device connection	Connection transfer assembly
Poles description	4P
Installation description	Cubicle - width 650 mm
Installed device	<p>ComPact: fixed NSX100...160 with earth leakage protection - control: toggle horizontal installation</p> <p>ComPact: fixed NSX250 with earth leakage protection - control: toggle horizontal installation</p> <p>EasyPact: fixed CVS100...160 without earth leakage protection - control: toggle horizontal installation</p> <p>EasyPact: fixed CVS250 without earth leakage protection - control: toggle horizontal installation</p> <p>ComPact: plug-in NSX100...160 without earth leakage protection - control: toggle horizontal installation</p> <p>ComPact: plug-in NSX250 without earth leakage protection - control: toggle horizontal installation</p> <p>ComPact: fixed NSX100...160 without earth leakage protection - control: direct front rotary handle horizontal installation</p> <p>ComPact: fixed NSX250 without earth leakage protection - control: direct front rotary handle horizontal installation</p> <p>EasyPact: fixed CVS100...160 with earth leakage protection - control: toggle horizontal installation</p> <p>EasyPact: fixed CVS250 with earth leakage protection - control: toggle horizontal installation</p> <p>ComPact: fixed NSX100...160 with earth leakage protection - control: direct front rotary handle horizontal installation</p> <p>ComPact: fixed NSX250 with earth leakage protection - control: direct front rotary handle horizontal installation</p> <p>EasyPact: fixed CVS100...160 without earth leakage protection - control: direct front rotary handle horizontal installation</p> <p>EasyPact: fixed CVS250 without earth leakage protection - control: direct front rotary handle horizontal installation</p> <p>EasyPact: fixed CVS100...160 with earth leakage protection - control: direct front rotary handle horizontal installation</p> <p>EasyPact: fixed CVS250 with earth leakage protection - control: direct front rotary handle horizontal installation</p> <p>ComPact: fixed NSX100...160 without earth leakage protection - control: motor mechanism horizontal installation</p> <p>ComPact: fixed NSX250 without earth leakage protection - control: motor mechanism horizontal installation</p> <p>ComPact: drawout NSX100...160 without earth leakage protection - control: direct front rotary handle horizontal installation</p> <p>ComPact: drawout NSX250 without earth leakage protection - control: direct front rotary handle horizontal installation</p> <p>ComPact: drawout NSX100...160 without earth leakage protection - control: motor mechanism horizontal installation</p> <p>ComPact: drawout NSX250 without earth leakage protection - control: motor mechanism horizontal installation</p> <p>ComPact: plug-in NSX100...160 without earth leakage protection - control: direct front rotary handle horizontal installation</p> <p>ComPact: plug-in NSX250 without earth leakage protection - control: direct front rotary handle horizontal installation</p> <p>ComPact: plug-in NSX100...160 without earth leakage protection - control: motor mechanism horizontal installation</p> <p>ComPact: plug-in NSX250 without earth leakage protection - control: motor mechanism horizontal installation</p> <p>ComPact: fixed NSX100...160 with earth leakage protection - control: motor mechanism horizontal installation</p> <p>ComPact: fixed NSX250 with earth leakage protection - control: motor mechanism horizontal installation</p> <p>ComPact: drawout NSX100...160 with earth leakage protection - control: direct front rotary handle horizontal installation</p> <p>ComPact: drawout NSX250 with earth leakage protection - control: direct front rotary handle horizontal installation</p> <p>ComPact: drawout NSX100...160 with earth leakage protection - control: motor mechanism horizontal installation</p> <p>ComPact: drawout NSX250 with earth leakage protection - control: motor mechanism horizontal installation</p> <p>ComPact: plug-in NSX100...160 with earth leakage protection - control: direct front rotary handle horizontal installation</p> <p>ComPact: plug-in NSX250 with earth leakage protection - control: direct front rotary handle horizontal installation</p> <p>ComPact: plug-in NSX100...160 with earth leakage protection - control: motor mechanism horizontal installation</p> <p>ComPact: plug-in NSX250 with earth leakage protection - control: motor mechanism horizontal installation</p> <p>ComPact: drawout NSX100...160 without earth leakage protection - control: toggle horizontal installation</p> <p>ComPact: drawout NSX250 without earth leakage protection - control: toggle horizontal installation</p> <p>ComPact: drawout NSX100...160 with earth leakage protection - control: toggle horizontal installation</p>

[I <sub>e</sub> ] rated operational current	250 A
Busbar cross section	20 x 3 mm
Height	200 mm
Net weight	3.56 kg





## Packing Units

Unit Type of Package 1	PCE
Number of Units in Package 1	1
Package 1 Height	16.0 cm
Package 1 Width	27.0 cm
Package 1 Length	40.0 cm
Package 1 Weight	3.541 kg
Unit Type of Package 2	P12
Number of Units in Package 2	45
Package 2 Height	93.0 cm
Package 2 Width	80.0 cm
Package 2 Length	120.0 cm
Package 2 Weight	171.0 kg

## Offer Sustainability

Sustainable offer status	Green Premium product
REACH Regulation	<a href="#">REACH Declaration</a>
REACH free of SVHC	Yes
EU RoHS Directive	Pro-active compliance (Product out of EU RoHS legal scope) <a href="#">EU RoHS Declaration</a>
Toxic heavy metal free	Yes
Mercury free	Yes
China RoHS Regulation	<a href="#">China RoHS Declaration</a>
RoHS exemption information	<a href="#">Yes</a>
Environmental Disclosure	<a href="#">Product Environmental Profile</a>
Circularity Profile	No need of specific recycling operations
PVC free	Yes