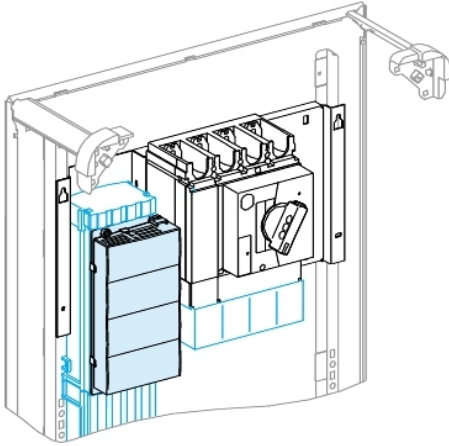


# LVS04074

Universal power supply block, Linergy BW, 400 to 630A, 3P/4P



## Main

Range	Linergy
Range of product	Linergy
Product or component type	Universal power supply block
Product name	Linergy BW
Product name	PrismaSeT PrismaSeT G enclosure PrismaSeT PrismaSeT P enclosure Linergy Linergy BW busbar
Accessory / separate part category	Current distribution accessory
Standards	IEC 61439-1, inside enclosure IEC 61439-2, inside enclosure
Product certifications	ASTA

The information provided in this documentation contains general descriptions and/or technical characteristics of the performance of the products contained herein. This documentation is not intended as a substitute for and is not to be used for determining suitability or reliability of these products for specific user applications. It is the duty of any such user or integrator to perform the appropriate and complete risk analysis, evaluation and testing of the products with respect to the relevant specific application or use thereof. Neither Schneider Electric Industries SAS nor any of its affiliates or subsidiaries shall be responsible or liable for misuse of the information contained herein.

## Complementary

Cubicle-device connection	Linergy BW busbar
Poles description	3P 4P
Installation description	Floor-standing duct - width 300 mm Wall-mounted duct - width 300 mm Cubicle - width 650 mm Floor-standing enclosure - width 600 mm Wall-mounted enclosure - width 600 mm
Installed device	ComPact: fixed NSX400 without earth leakage protection - control: toggle vertical installation ComPact: fixed NSX400 without earth leakage protection - control: direct front rotary handle vertical installation ComPact: fixed NSX400 with earth leakage protection - control: toggle vertical installation EasyPact: fixed CVS400 without earth leakage protection - control: toggle vertical installation EasyPact: fixed CVS630 without earth leakage protection - control: toggle vertical installation EasyPact: fixed CVS400 without earth leakage protection - control: direct front rotary handle vertical installation EasyPact: fixed CVS630 without earth leakage protection - control: direct front rotary handle vertical installation EasyPact: fixed CVS400 with earth leakage protection - control: toggle vertical installation EasyPact: fixed CVS630 with earth leakage protection - control: toggle vertical installation ComPact: fixed NSX630 without earth leakage protection - control: toggle vertical installation ComPact: fixed NSX630 without earth leakage protection - control: direct front rotary handle vertical installation ComPact: fixed NSX630 with earth leakage protection - control: toggle vertical installation ComPact: fixed NSX400 with earth leakage protection - control: direct front rotary handle vertical installation ComPact: fixed NSX630 with earth leakage protection - control: direct front rotary handle vertical installation ComPact: fixed INS320...400 - control: direct front rotary handle vertical installation ComPact: fixed INS500...630 - control: direct front rotary handle vertical installation ComPact: fixed INV320...400 - control: direct front rotary handle vertical installation ComPact: fixed INV500...630 - control: direct front rotary handle vertical installation EasyPact: fixed CVS400 with earth leakage protection - control: direct front rotary handle vertical installation EasyPact: fixed CVS630 with earth leakage protection - control: direct front rotary handle vertical installation
[I <sub>e</sub> ] rated operational current	630 A
Net weight	1 kg





## Packing Units

Unit Type of Package 1	PCE
Number of Units in Package 1	1
Package 1 Height	12.5 cm
Package 1 Width	19.0 cm
Package 1 Length	24.5 cm
Package 1 Weight	930.0 g
Unit Type of Package 2	P12
Number of Units in Package 2	90
Package 2 Height	76.0 cm
Package 2 Width	80.0 cm
Package 2 Length	120.0 cm
Package 2 Weight	111.0 kg

## Offer Sustainability

Sustainable offer status	Green Premium product
REACH Regulation	<a href="#">REACH Declaration</a>
REACH free of SVHC	Yes
EU RoHS Directive	Pro-active compliance (Product out of EU RoHS legal scope) <a href="#">EU RoHS Declaration</a>
Toxic heavy metal free	Yes
Mercury free	Yes
China RoHS Regulation	<a href="#">China RoHS Declaration</a>
RoHS exemption information	<a href="#">Yes</a>
Environmental Disclosure	<a href="#">Product Environmental Profile</a>
Circularity Profile	No need of specific recycling operations
Halogen content performance	Halogen free plastic parts product