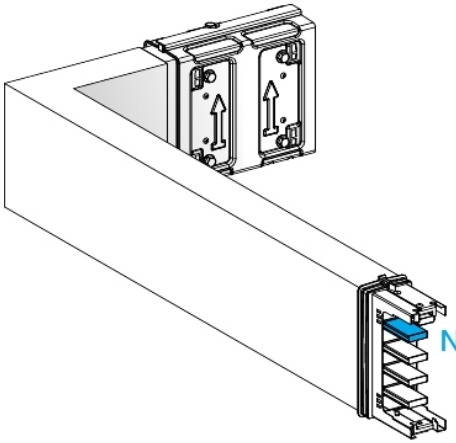


KSA250DLL41A

Elbow, Canalis KSA250, aluminium,
100/160/250A, side B made to measure, turns
left, 3L+N+PE, white RAL9001



Main

| | |
|--------------------------------|---|
| Range of product | Canalis |
| Product name | KS |
| Device short name | KSA |
| Offer type | Advanced |
| Product or component type | Elbow |
| Busbar description | Standard on made to measure (only one side) |
| Product compatibility | Canalis KSA busbar trunking 100...250 A |
| Device application | Change direction |
| Conductors material | Aluminium |
| Busbar trunking polarity | 3L + N + PE |
| [Ie] rated operational current | 250 A at 35 °C |
| IP degree of protection | IP55 conforming to IEC 60529 |
| [Ue] rated operational voltage | 230...690 V |
| Network frequency | 50/60 Hz |
| Operating angle | 90 ° |
| Direction change type | Direction 1: edgewise to left - neutral to up |
| Colour | White (RAL 9001) |
| Dimension type | Made to measure |

Complementary

| | |
|-----------------------|--|
| Length | 200 Mm for side A 200...750 mm for side B |
| Width | 54 mm |
| Height | 146 mm |
| Mounting location | On trunking |
| Mounting position | Any position |
| Electrical connection | Lubricated sliding contact |
| Mounting mode | By screws |
| Standards | IEC 61439-1 IEC 61439-6 |

Environment

| | |
|-------------------------|------------------------------|
| IK degree of protection | IK08 conforming to IEC 62262 |
|-------------------------|------------------------------|

Packing Units

| | |
|------------------------------|---------|
| Unit Type of Package 1 | PCE |
| Number of Units in Package 1 | 1 |
| Package 1 Height | 16.5 cm |
| Package 1 Width | 72.6 cm |
| Package 1 Length | 72.6 cm |
| Package 1 Weight | 18.0 kg |

Offer Sustainability

| | |
|----------------------------|---|
| Sustainable offer status | Green Premium product |
| REACH Regulation | REACH Declaration |
| REACH free of SVHC | Yes |
| EU RoHS Directive | Compliant EU RoHS Declaration |
| Mercury free | Yes |
| China RoHS Regulation | China RoHS Declaration |
| RoHS exemption information | Yes |
| Environmental Disclosure | Product Environmental Profile |
| Circularity Profile | No need of specific recycling operations |
| WEEE | The product must be disposed on European Union markets following specific waste collection and never end up in rubbish bins |