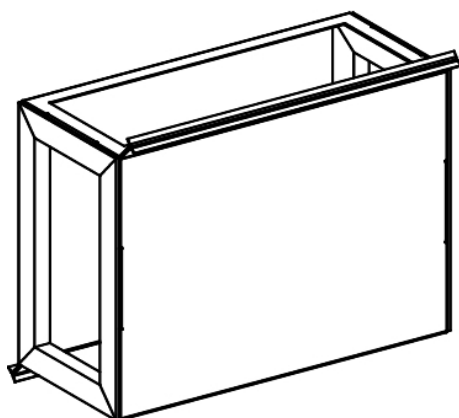


# Product data sheet

## Characteristics

# KRB0540EM12

Casting mould, Canalis KR, 5000A for KRA, 6300A for KRC, for junction blocks, casting with resin mix, 5 conductors



### Main

Range	Canalis
Product name	KR
Product or component type	Casting mould
Device short name	KRB
Range compatibility	Canalis KR KRA[RETURN]Canalis KR KRC
Accessory / separate part category	Coupling accessory
[Ie] rated operational current	5000 A with aluminium 6300 A with copper
Busbar trunking polarity	3L + N + PE
Length	320 mm

### Complementary

Width	160 mm
Height	580 mm
Quantity per set	Set of 1
Kit composition	8 x neoprene seal 2 x mould 2 x C-profile

### Packing Units

Unit Type of Package 1	PCE
Number of Units in Package 1	1
Package 1 Height	54.0 cm
Package 1 Width	12.0 cm
Package 1 Length	30.0 cm
Package 1 Weight	34.02 kg

### Offer Sustainability

Sustainable offer status	Green Premium product
REACH Regulation	<a href="#">REACH Declaration</a>
REACH free of SVHC	Yes
EU RoHS Directive	Compliant <a href="#">EU RoHS Declaration</a>
Toxic heavy metal free	Yes
Mercury free	Yes
China RoHS Regulation	<a href="#">China RoHS Declaration</a>
RoHS exemption information	<a href="#">Yes</a>
Environmental Disclosure	<a href="#">Product Environmental Profile</a>
Circularity Profile	<a href="#">End Of Life Information</a>
WEEE	The product must be disposed on European Union markets following specific waste collection and never end up in rubbish bins
Halogen content performance	Halogen free product