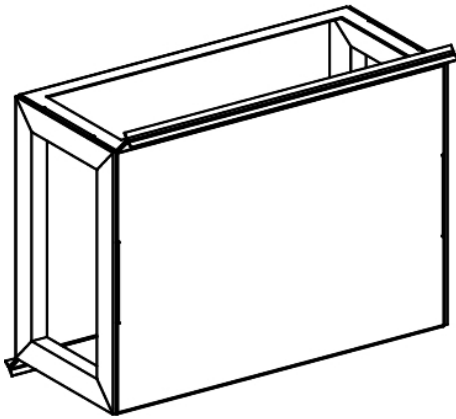


Product data sheet

Characteristics

KRB0540EM10

Casting mould, Canalis KR, 5000A for KRA, 6300A for KRC, for junction blocks, casting with resin mix, 3/4 conductors



Main

Range	Canalis
Product name	KR
Product or component type	Casting mould
Device short name	KRB
Range compatibility	Canalis KR KRA Canalis KR KRC
Accessory / separate part category	Coupling accessory
[Ie] rated operational current	5000 A with aluminium 6300 A with copper
Busbar trunking polarity	3L 3L + N or 3L + PE or 3L + PEN
Length	320 mm

Complementary

Width	140 mm
Height	580 mm
Quantity per set	Set of 1
Kit composition	8 x neoprene seal 2 x mould 2 x C-profile

Packing Units

Unit Type of Package 1	PCE
Number of Units in Package 1	1
Package 1 Height	54.0 cm
Package 1 Width	10.0 cm
Package 1 Length	30.0 cm
Package 1 Weight	34.02 kg

Offer Sustainability

Sustainable offer status	Green Premium product
RECh Regulation	RECh Declaration
RECh free of SVHC	Yes
EU RoHS Directive	Compliant EU RoHS Declaration
Toxic heavy metal free	Yes
Mercury free	Yes
China RoHS Regulation	China RoHS Declaration
RoHS exemption information	Yes
Environmental Disclosure	Product Environmental Profile
Circularity Profile	End Of Life Information

The information provided in this documentation contains general descriptions and/or technical characteristics of the performance of the products contained herein. This documentation is not intended as a substitute for and is not to be used for determining suitability or reliability of these products for specific user applications. It is the duty of any such user or integrator to perform the appropriate and complete risk analysis, evaluation and testing of the products with respect to the relevant specific application or use thereof. Neither Schneider Electric Industries SAS nor any of its affiliates or subsidiaries shall be responsible or liable for misuse of the information contained herein.

WEEE	The product must be disposed on European Union markets following specific waste collection and never end up in rubbish bins
Halogen content performance	Halogen free product
