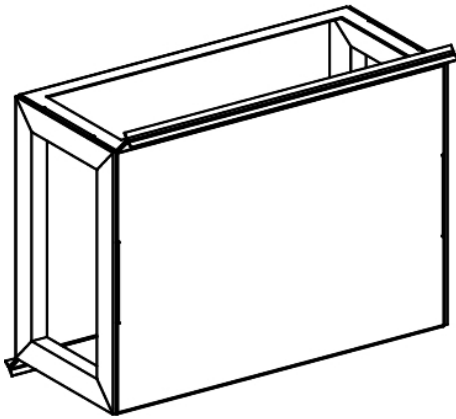


Product data sheet

Characteristics

KRB0460EM12

Casting mould, Canalis KR, 4000A for KRA, 5000A for KRC, for junction blocks, casting with resin mix, 5 conductors



Main

Range	Canalis
Product name	KR
Product or component type	Casting mould
Device short name	KRB
Range compatibility	Canalis KR KRA[RETURN]Canalis KR KRC
Accessory / separate part category	Coupling accessory
[Ie] rated operational current	4000 A with aluminium 5000 A with copper
Busbar trunking polarity	3L + N + PE
Length	320 mm

Complementary

Width	160 mm
Height	500 mm
Quantity per set	Set of 1
Kit composition	8 x neoprene seal 2 x mould 2 x C-profile

Packing Units

Unit Type of Package 1	PCE
Number of Units in Package 1	1
Package 1 Height	46.0 cm
Package 1 Width	12.0 cm
Package 1 Length	30.0 cm
Package 1 Weight	28.98 kg

Offer Sustainability

Sustainable offer status	Green Premium product
REACH Regulation	REACH Declaration
REACH free of SVHC	Yes
EU RoHS Directive	Compliant EU RoHS Declaration
Toxic heavy metal free	Yes
Mercury free	Yes
China RoHS Regulation	China RoHS Declaration
RoHS exemption information	Yes
Environmental Disclosure	Product Environmental Profile
Circularity Profile	End Of Life Information
WEEE	The product must be disposed on European Union markets following specific waste collection and never end up in rubbish bins
Halogen content performance	Halogen free product