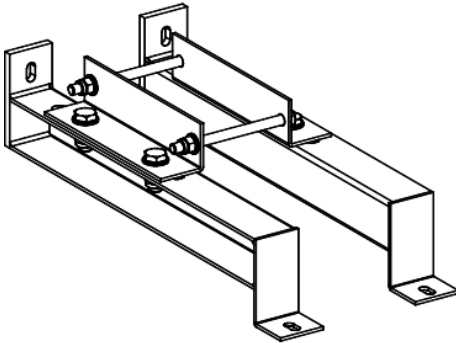


# Product data sheet

## Characteristics

# KRB0190ZA48

Vertical floor fix point support, Canalis KR, vertical busbar trunking, 1600A KRA, 2000A KRC, 3/4 conductors busbar



### Main

Range	Canalis
Product name	KR
Product or component type	Fix spring support
Device short name	KRB

### Complementary

Accessory / separate part category	Support accessory
Fixing device mounting	Floor mounting
Mounting position	Vertical
[Ie] rated operational current	1600 A with aluminium 2000 A with copper
Busbar trunking polarity	3L + N or 3L + PE or 3L + PEN 3L
Material	Stainless steel 316
Standards	IEC 61439-2 IEC 61439-6
Width	100 mm
Height	190 mm
Quantity per set	Set of 1

### Packing Units

Unit Type of Package 1	PCE
Number of Units in Package 1	1
Package 1 Height	16.5 cm
Package 1 Width	23.0 cm
Package 1 Length	57.0 cm
Package 1 Weight	10.21 kg

### Offer Sustainability

Sustainable offer status	Green Premium product
REACH Regulation	<a href="#">REACH Declaration</a>
REACH free of SVHC	Yes
EU RoHS Directive	Compliant <a href="#">EU RoHS Declaration</a>
Toxic heavy metal free	Yes
Mercury free	Yes
China RoHS Regulation	<a href="#">China RoHS Declaration</a>
RoHS exemption information	<a href="#">Yes</a>

Environmental Disclosure	<a href="#">Product Environmental Profile</a>
Circularity Profile	<a href="#">End Of Life Information</a>
WEEE	The product must be disposed on European Union markets following specific waste collection and never end up in rubbish bins
Halogen content performance	Halogen free product