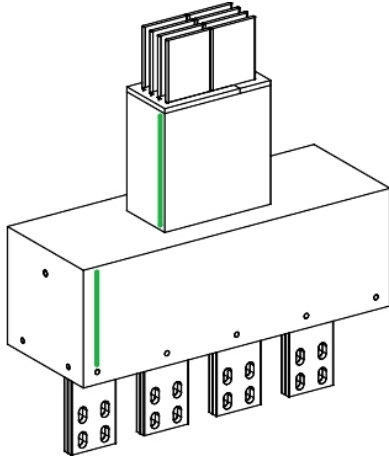


KRA2000ER37

Straight feed unit, Canalis KRA, aluminium, 2000A, 3L, made to measure, flat incoming, flat connection pads, RAL7030



Main

| | |
|---------------------------------------|---|
| Range | Canalis |
| Product name | KR |
| Product or component type | Straight feeder trunking |
| Device short name | KRA |
| Product specific application | Real estate and office buildings Oil and gas Healthcare Enterprise data centres Mining minerals and metals Water and waste water |
| Device application | Feeder length |
| Supply | Oil-immersed transformer Switchboard |
| Material | Aluminium |
| [Ie] rated operational current | 2000 A at 35 °C |
| Busbar/connection pads direction type | Flat to straight |
| Short-circuit level | Standard version |

Complementary

| | |
|--|---|
| Housing material | Mineral epoxy resin |
| Contacts material | Tinned aluminium |
| [Ue] rated operational voltage | 1000 V |
| Network frequency | 50/60 Hz |
| [Ui] rated insulation voltage | 1000 V |
| [Icw] rated short-time withstand current | 65 kA |
| [Ipk] rated peak withstand current | 143 kA |
| Radiated magnetic field | 22.1 mT |
| Thermal stress limit | 4225000 kA ² .s |
| Maximum voltage drop | <0.005 V with power factor = 1 at 50 Hz with 1A for 100 m long <0.0069 V with power factor = 0.9 at 50 Hz with 1A for 100 m long <0.0072 V with power factor = 0.8 at 50 Hz with 1A for 100 m long <0.0074 V with power factor = 0.7 at 50 Hz with 1A for 100 m long |
| Mounting location | Outdoor Indoor |
| Busbar incoming | Vertical |
| Polarity | 3L |
| Product certifications | ATEX[RETURN]EAC[RETURN]CE |
| Standards | IEC 61439-6 |
| Dimension type | Made to measure |
| Colour | Grey (RAL 7030) |
| Linear load | 52 kg/m |

The information provided in this documentation contains general descriptions and/or technical characteristics of the performance of the products contained herein. This documentation is not intended as a substitute for and is not to be used for determining suitability or reliability of these products for specific user applications. It is the duty of any such user or integrator to perform the appropriate and complete risk analysis, evaluation and testing of the products with respect to the relevant specific application or use thereof. Neither Schneider Electric Industries SAS nor any of its affiliates or subsidiaries shall be responsible or liable for misuse of the information contained herein.

Environment

| | |
|------------------------------|---|
| IP degree of protection | IP68 conforming to IEC 60529 |
| IK degree of protection | IK10 conforming to IEC 62262 |
| Pollution degree | 3 |
| Fire resistance | 760 °C 180 min conforming to IEC 60331-1 |
| Derating factor | 0...35 °C (100 % of In) 35...40 °C (96 % of In) 40...45 °C (89 % of In) 45...50 °C (84 % of In) 50...55 °C (78 % of In) |
| Operating altitude | 1000 m 100 % of In (indoor) 2000 m 99 % of In (indoor) 3000 m 96 % of In (indoor) 4000 m 90 % of In (indoor) 1000 m 98 % of In (outdoor) 2000 m 94 % of In (outdoor) 3000 m 89 % of In (outdoor) 4000 m 83 % of In (outdoor) |
| Environmental characteristic | EMC directive conforming to IEC 61439-6 |

Packing Units

| | |
|------------------------------|-----------|
| Unit Type of Package 1 | PCE |
| Number of Units in Package 1 | 1 |
| Package 1 Height | 25.0 cm |
| Package 1 Width | 70.0 cm |
| Package 1 Length | 120.0 cm |
| Package 1 Weight | 103.74 kg |

Offer Sustainability

| | |
|-----------------------------|---|
| Sustainable offer status | Green Premium product |
| REACH Regulation | REACH Declaration |
| REACH free of SVHC | Yes |
| EU RoHS Directive | Compliant EU RoHS Declaration |
| Toxic heavy metal free | Yes |
| Mercury free | Yes |
| China RoHS Regulation | China RoHS Declaration |
| RoHS exemption information | Yes |
| Environmental Disclosure | Product Environmental Profile |
| Circularity Profile | End Of Life Information |
| WEEE | The product must be disposed on European Union markets following specific waste collection and never end up in rubbish bins |
| Halogen content performance | Halogen free product |