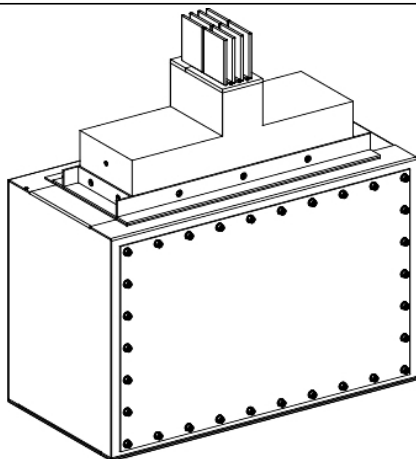


KRA1600ER59

Cable end feed unit, Canalis KRA, aluminium, 1600A, 3L+N+PE, made to measure dimensions, grey RAL7030



Main

| | |
|---------------------------------------|---|
| Range | Canalis |
| Product name | KR |
| Product or component type | Cable end feeder trunking |
| Device short name | KRA |
| Product specific application | Mining minerals and metals Water and waste water Healthcare Enterprise data centres Oil and gas Real estate and office buildings |
| Device application | Feeder length |
| Supply | Switchboard Oil-immersed transformer |
| Material | Aluminium |
| [Ie] rated operational current | 1600 A at 35 °C |
| Busbar/connection pads direction type | Edgewise to straight |
| Earth conductor | Standard earth |
| Short-circuit level | Standard version |

Complementary

| | |
|--|--|
| Housing material | Mineral epoxy resin |
| Contacts material | Tinned aluminium |
| [Ue] rated operational voltage | 1000 V |
| Network frequency | 50/60 Hz |
| [Ui] rated insulation voltage | 1000 V |
| [Icw] rated short-time withstand current | 53 kA |
| [Ipk] rated peak withstand current | 117 kA |
| Radiated magnetic field | 17.3 mT |
| Thermal stress limit | 2809000 kA ² .s |
| Maximum voltage drop | <0.0062 V with power factor = 1 at 50 Hz with 1A for 100 m long <0.0091 V with power factor = 0.9 at 50 Hz with 1A for 100 m long <0.0098 V with power factor = 0.8 at 50 Hz with 1A for 100 m long <0.0101 V with power factor = 0.7 at 50 Hz with 1A for 100 m long |
| Mounting location | Indoor Outdoor |
| Busbar incoming | Vertical |
| Polarity | 3L + N + PE |
| Product certifications | CE[RETURN]EAC[RETURN]ATEX |
| Standards | IEC 61439-6 |
| Dimension type | Fix |
| Connection pitch | 100 mm |
| Colour | Grey (RAL 7030) |
| Linear load | 58 kg/m |

The information provided in this documentation contains general descriptions and/or technical characteristics of the performance of the products contained herein. This documentation is not intended as a substitute for and is not to be used for determining suitability or reliability of these products for specific user applications. It is the duty of any such user or integrator to perform the appropriate and complete risk analysis, evaluation and testing of the products with respect to the relevant specific application or use thereof. Neither Schneider Electric Industries SAS nor any of its affiliates or subsidiaries shall be responsible or liable for misuse of the information contained herein.

Environment

| | |
|------------------------------|---|
| IP degree of protection | IP68 conforming to IEC 60529 |
| IK degree of protection | IK10 conforming to IEC 62262 |
| Pollution degree | 3 |
| Fire resistance | 760 °C 180 min conforming to IEC 60331-1 |
| Derating factor | 0...35 °C (100 % of In) 35...40 °C (96 % of In) 40...45 °C (89 % of In) 45...50 °C (84 % of In) 50...55 °C (78 % of In) |
| Operating altitude | 1000 m 100 % of In (indoor) 2000 m 99 % of In (indoor) 3000 m 96 % of In (indoor) 4000 m 90 % of In (indoor) 1000 m 98 % of In (outdoor) 2000 m 94 % of In (outdoor) 3000 m 89 % of In (outdoor) 4000 m 83 % of In (outdoor) |
| Environmental characteristic | EMC directive conforming to IEC 61439-6 |

Packing Units

| | |
|------------------------------|---------|
| Unit Type of Package 1 | PCE |
| Number of Units in Package 1 | 1 |
| Package 1 Height | 61.0 cm |
| Package 1 Width | 80.0 cm |
| Package 1 Length | 62.0 cm |
| Package 1 Weight | 60.9 kg |

Offer Sustainability

| | |
|-----------------------------|---|
| Sustainable offer status | Green Premium product |
| REACH Regulation | REACH Declaration |
| REACH free of SVHC | Yes |
| EU RoHS Directive | Compliant EU RoHS Declaration |
| Toxic heavy metal free | Yes |
| Mercury free | Yes |
| China RoHS Regulation | China RoHS Declaration |
| RoHS exemption information | Yes |
| Environmental Disclosure | Product Environmental Profile |
| Circularity Profile | End Of Life Information |
| WEEE | The product must be disposed on European Union markets following specific waste collection and never end up in rubbish bins |
| Halogen content performance | Halogen free product |