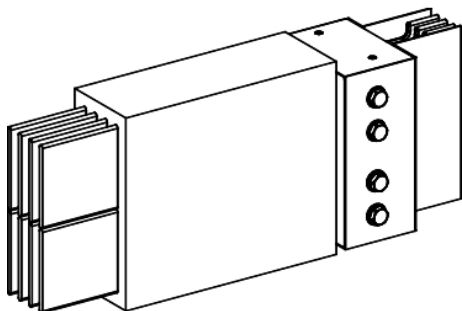


KRA1250RT54

Adaptor, Canalis KRA, aluminium, 1250A, 3L +N+PE, fixed length 600mm, interconnection with Canalis KTA 3L+N+PE



Main

Range	Canalis
Product name	KR
Product or component type	Adaptor
Device short name	KRA
Range compatibility	Canalis KRA Canalis KTA
Material	Aluminium
[Ie] rated operational current	1250 A at 35 °C
Polarity	3L + N + PE
Length	600 mm

Complementary

Accessory / separate part category	Adaptation accessory
Housing material	Mineral epoxy resin
Contacts material	Tinned aluminium
[Ue] rated operational voltage	1000 V
Network frequency	50/60 Hz
[Ui] rated insulation voltage	1000 V
[Icw] rated short-time withstand current	53 kA
[Ipk] rated peak withstand current	117 kA
Radiated magnetic field	14.68 mT
Thermal stress limit	2809000 kA ² .s
Maximum voltage drop	<0.0102 V with power factor = 1 at 50 Hz with 1A for 100 m long <0.013 V with power factor = 0.9 at 50 Hz with 1A for 100 m long <0.0134 V with power factor = 0.8 at 50 Hz with 1A for 100 m long <0.0133 V with power factor = 0.7 at 50 Hz with 1A for 100 m long
Mounting location	Indoor use only
Installation direction	Vertical Horizontal
Earth conductor	Standard earth
Product certifications	ATEX[RETURN]CE[RETURN]EAC
Standards	IEC 61439-6
Width	KT: 140 mm KR: 120 mm
Height	KR: 130 mm KT: 124 mm
Colour	Grey (RAL 7030)
Linear load	40 kg/m

The information provided in this documentation contains general descriptions and/or technical characteristics of the performance of the products contained herein. This documentation is not intended as a substitute for and is not to be used for determining suitability or reliability of these products for specific user applications. It is the duty of any such user or integrator to perform the appropriate and complete risk analysis, evaluation and testing of the products with respect to the relevant specific application or use thereof. Neither Schneider Electric Industries SAS nor any of its affiliates or subsidiaries shall be responsible or liable for misuse of the information contained herein.

Environment

IP degree of protection	IP55 conforming to IEC 60529
IK degree of protection	IK08 conforming to IEC 62262
Pollution degree	3
Fire resistance	760 °C 180 min conforming to IEC 60331-1
Derating factor	0...35 °C (100 % of In) 35...40 °C (96 % of In) 40...45 °C (89 % of In) 45...50 °C (84 % of In) 50...55 °C (78 % of In)
Operating altitude	1000 m 100 % of In (indoor) 2000 m 99 % of In (indoor) 3000 m 96 % of In (indoor) 4000 m 90 % of In (indoor) 1000 m 98 % of In (outdoor) 2000 m 94 % of In (outdoor) 3000 m 89 % of In (outdoor) 4000 m 83 % of In (outdoor)
Environmental characteristic	EMC directive conforming to IEC 61439-6

Packing Units

Unit Type of Package 1	PCE
Number of Units in Package 1	1
Package 1 Height	13 cm
Package 1 Width	12 cm
Package 1 Length	60 cm
Package 1 Weight	25.2 kg

Offer Sustainability

Sustainable offer status	Green Premium product
REACH Regulation	REACH Declaration
REACH free of SVHC	Yes
EU RoHS Directive	Compliant EU RoHS Declaration
Toxic heavy metal free	Yes
Mercury free	Yes
China RoHS Regulation	China RoHS Declaration
RoHS exemption information	Yes
Environmental Disclosure	Product Environmental Profile
Circularity Profile	End Of Life Information
WEEE	The product must be disposed on European Union markets following specific waste collection and never end up in rubbish bins
Halogen content performance	Halogen free product