



Main

Range of product	Harmony ST6
Product or component type	Touch panel screen

Complementary

Display size	4 inch
Display type	Colour TFT LCD
Display colour	16 million colours
Display resolution	480 x 272 pixels
Touch panel	Single touch analogue resistive
Backlight lifespan	20000 hours with white
Brightness	16 levels
Character font	ASCII ASCII (European characters) Chinese (simplified Chinese) Japanese (ANK, Kanji) Katakana Korean Taiwanese (traditional Chinese)
[Us] rated supply voltage	24 V DC (+/- 20 %)
Inrush current	30 A
Local signalling	Status LED green, steady for offline Status LED green, steady for operating Status LED green, flashing for operating Status LED green, faded for stand-by Status LED orange, flashing for software starting up Status LED red, steady for power supply (ON) Status LED red, flashing for operating Status LED red, off for power supply (OFF)
Power consumption in W	1.0 W
Number of pages	200 application pages
Software package	EcoStruxure Operator Terminal Expert
Realtime clock	Built-in 0...50 °C Built-in 10...90 % RH
Fixing mode	Ø 22 mm hole, mounting on 1.5 to 6 mm thick panel conforming to UL 61010-2-201 Ø 22 mm hole conforming to IEC 61131-2 Ø 22 mm hole conforming to IEC 61000-6-2
Front material	Plastic
Marking	CE
Cut-out dimensions	Ø 22.5 mm
Height	101.1 mm
Width	140.4 mm

The information provided in this documentation contains general descriptions and/or technical characteristics of the performance of the products contained herein. This documentation is not intended as a substitute for and is not to be used for determining suitability or reliability of these products for specific user applications. It is the duty of any such user or integrator to perform the appropriate and complete risk analysis, evaluation and testing of the products with respect to the relevant specific application or use thereof. Neither Schneider Electric Industries SAS nor any of its affiliates or subsidiaries shall be responsible or liable for misuse of the information contained herein.

Depth	29.8 mm
Net weight	0.22 kg

Environment

Immunity to microbreaks	2 ms
Standards	IEC 61000-6-4 IEC 61000-6-2 IEC 61131-2 UL 61010-2-201 CSA C22.2 No 61010-2-201 CSA C22.2 No 213
Product certifications	CE[RETURN]UKCA[RETURN]cULus[RETURN]RCM[RETURN]KC[RETURN]cULus Class 1 Division 2[RETURN]DNV[RETURN]ABS[RETURN]RINA[RETURN]BV
Directives	2014/35/EU - low voltage directive 2014/30/EU - electromagnetic compatibility
Ambient air temperature for operation	0...50 °C
Ambient air temperature for storage	-20...60 °C
Relative humidity	10...90 % non-condensing
Operating altitude	2000 m
IP degree of protection	IP65 (front panel) conforming to IEC 61131-2
NEMA degree of protection	NEMA 4 front panel (indoor use) NEMA 13 front panel (in enclosure)
Shock resistance	147 m/s ² for 11 ms (X, Y, Z directions for 10 cycles (approx. 100 min)) conforming to IEC 61131-2
Vibration resistance	+/- 3.5 mm (f = 5...9 Hz) X, Y, Z directions for 10 cycles (approx. 100 min) conforming to IEC 61131-2 9.8 m/s ² (f = 9...150 Hz)
Electromagnetic compatibility	Electrical fast transient/burst immunity test - test level: 2 kV (power ports) conforming to IEC 61000-4-4 Electrical fast transient/burst immunity test - test level: 1 kV (signal ports) Electrostatic discharge immunity test - test level: 6 kV (contact discharge) conforming to IEC 61000-4-2 level 3 Electrostatic discharge immunity test - test level: 8 kV (air discharge)

Packing Units

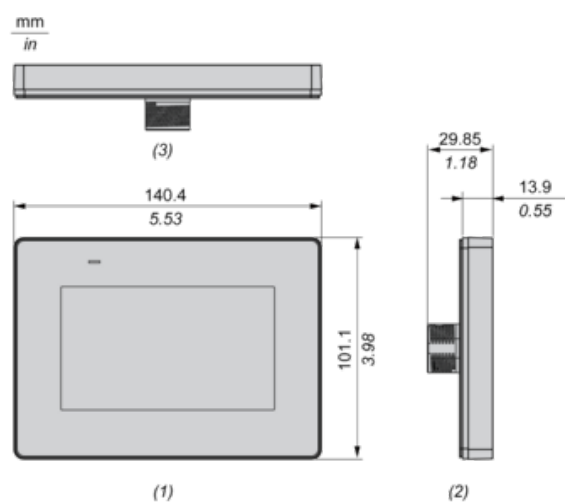
Unit Type of Package 1	PCE
Number of Units in Package 1	1
Package 1 Height	8.2 cm
Package 1 Width	13.5 cm
Package 1 Length	21.5 cm
Package 1 Weight	389 g
Unit Type of Package 2	S03
Number of Units in Package 2	9
Package 2 Height	30 cm
Package 2 Width	30 cm
Package 2 Length	40 cm
Package 2 Weight	3.942 kg
Unit Type of Package 3	P06
Number of Units in Package 3	72
Package 3 Height	80 cm
Package 3 Width	60 cm
Package 3 Length	80 cm
Package 3 Weight	40.036 kg

Offer Sustainability

Sustainable offer status	Green Premium product
REACH Regulation	REACH Declaration
EU RoHS Directive	Pro-active compliance (Product out of EU RoHS legal scope)
Mercury free	Yes
China RoHS Regulation	China RoHS Declaration
RoHS exemption information	Yes
Environmental Disclosure	Product Environmental Profile
Circularity Profile	End Of Life Information
WEEE	The product must be disposed on European Union markets following specific waste collection and never end up in rubbish bins

Dimensions

External Dimensions



- (1) : Front
- (2) : Left
- (3) : Bottom