



Main

Range of product	Harmony 9001SK
Product or component type	Push-button
Device short name	9001SK
Type of operator	Spring return
Operator profile	7 colours choice flush, unmarked
Operator additional information	Plastic guard

Complementary

Bezel material	Plastic
Mounting diameter	30 mm
Shape of signaling unit head	Octagonal
Contacts type and composition	1 C/O
Contact operation	Standard
Connections - terminals	Screw clamp terminals 1 x 0.22...2 x 1.5 mm ² conforming to EN/IEC 60947-1
Tightening torque	0.8 N.m conforming to EN/IEC 60947-1
Shape of screw head	Cross slotted
Mechanical durability	5000000 cycles
Operating position	Any position
[Ie] rated operational current	3 A at 240 V, AC-15, A600-Q600 0.55 A at 125 V, DC-13, A600-Q600
[Ui] rated insulation voltage	250 V (pollution degree 3) conforming to EN/IEC 60947-1
[Uimp] rated impulse withstand voltage	2.5 kV conforming to EN/IEC 60947-1
Contacts material	Silver alloy contacts
Positive opening	Without
Short-circuit protection	10 A cartridge fuse conforming to EN/IEC 60947-5-1
[Ith] conventional free air thermal current	10 A
[Icm] rated short-circuit making capacity	12 KA at 600 V AC-15, 7200 VA 15 KA at 480 V AC-15, 7200 VA 30 KA at 240 V AC-15, 7200 VA 60 KA at 120 V AC-15, 7200 VA 0.1 KA at 600 V DC-13 0.27 KA at 250 V DC-13 0.55 KA at 125 V DC-13
Rated breaking capacity	3 KA at 240 V AC-15, 720 VA 6 KA at 120 V AC-15, 720 VA 1.2 KA at 600 V AC-15, 720 VA 1.5 KA at 480 V AC-15, 720 VA 0.1 KA at 600 V DC-13 0.27 KA at 250 V DC-13 0.55 KA at 125 V DC-13
Net weight	0.086 kg
Device presentation	Complete product
Cap/operator or lens colour	7 colours choice
Operator profile	Flush

The information provided in this documentation contains general descriptions and/or technical characteristics of the performance of the products contained herein. This documentation is not intended as a substitute for and is not to be used for determining suitability or reliability of these products for specific user applications. It is the duty of any such user or integrator to perform the appropriate and complete risk analysis, evaluation and testing of the products with respect to the relevant specific application or use thereof. Neither Schneider Electric Industries SAS nor any of its affiliates or subsidiaries shall be responsible or liable for misuse of the information contained herein.

Type of operator	Spring return
Size	30 mm

Environment

Standards	UL 508 JIS C 852 EN/IEC 60947-5-1 CSA C22.2 No 14 EN/IEC 60947-5-4 EN/IEC 60947-1 JIS C 4520
Product certifications	NEMA[RETURN]UL 508
Protective treatment	TC
Ambient air temperature for storage	-40...70 °C
Ambient air temperature for operation	-25...70 °C
Vibration resistance	7 gn (f= 2...500 Hz) conforming to IEC 60068-2-6
Shock resistance	50 gn conforming to IEC 60068-2-27
Electrical shock protection class	Class II conforming to IEC 61140
IP degree of protection	IP66 conforming to IEC 60529
NEMA degree of protection	NEMA 1 NEMA 12 NEMA 13 NEMA 2 NEMA 3 NEMA 3R NEMA 4 NEMA 4X

Packing Units

Unit Type of Package 1	PCE
Number of Units in Package 1	1
Package 1 Height	4.826 cm
Package 1 Width	5.588 cm
Package 1 Length	9.398 cm
Package 1 Weight	77.111 g

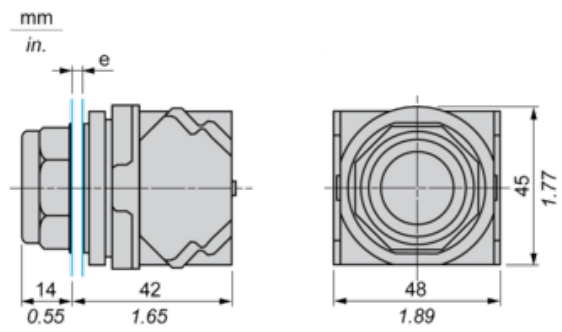
Offer Sustainability

Sustainable offer status	Green Premium product
REACH Regulation	REACH Declaration
REACH free of SVHC	Yes
EU RoHS Directive	Pro-active compliance (Product out of EU RoHS legal scope) EU RoHS Declaration
Toxic heavy metal free	Yes
Mercury free	Yes
China RoHS Regulation	China RoHS Declaration
RoHS exemption information	Yes
Environmental Disclosure	Product Environmental Profile
Circularity Profile	No need of specific recycling operations
WEEE	The product must be disposed on European Union markets following specific waste collection and never end up in rubbish bins

Contractual warranty

Warranty	18 months
----------	-----------

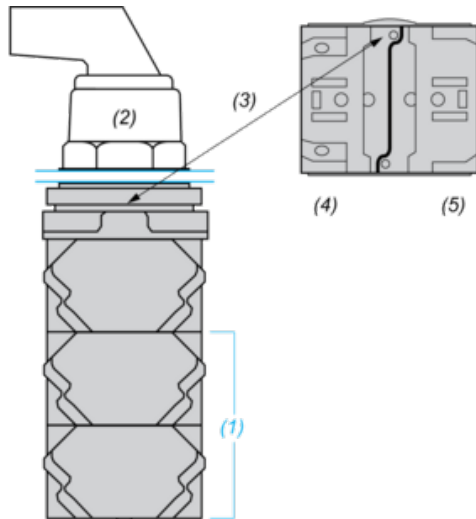
Dimensions



e panel thickness: 1 to 6 mm / 0.04 to 0.24 in.

Contact Block Mounting Position

Top and Rear views



- (1) It is possible to mount up to 3 levels of contacts blocks (maximum of 6 contacts blocks)
- (2) Operator
- (3) Locating notch
- (4) Side 1
- (5) Side 2