



## Main

Range of product	Harmony 9001SK
Product or component type	Pilot light
Device short name	9001SK
Lens type	Domed plastic
Light block supply	Direct 24 V AC/DC

## Complementary

Bezel material	Plastic
Mounting diameter	30 mm
Shape of signaling unit head	Round
Cap/operator or lens colour	Green
Light source	LED
Bulb base	BA 9s
[Us] rated supply voltage	24...28 V AC/DC
Tightening torque	0.8 N.m conforming to EN/IEC 60947-1
Shape of screw head	Cross slotted
Connections - terminals	Screw clamp terminals, 1 x 0.22...2 x 1.5 mm <sup>2</sup> conforming to EN/IEC 60947-1
[Ith] conventional free air thermal current	10 A
Short-circuit protection	10 A cartridge fuse conforming to EN/IEC 60947-5-1
[Ui] rated insulation voltage	250 V (pollution degree 2) conforming to EN/IEC 60947-1
[Uimp] rated impulse withstand voltage	2.5 kV conforming to EN/IEC 60947-1
Operating position	Any position
CAD overall width	54 mm
CAD overall height	70 mm
CAD overall depth	42 mm
Net weight	0.082 kg
Device presentation	Complete product
Lens type	Domed
[Us] rated supply voltage	24...28 V
Light source colour	Green
Lens material	Polycarbonate
Size	30 mm
Light source	LED

## Environment

Electrical shock protection class	Class II conforming to IEC 61140
Protective treatment	TC
IP degree of protection	IP66 conforming to IEC 60529
NEMA degree of protection	NEMA 1 NEMA 12 NEMA 13 NEMA 2 NEMA 3 NEMA 3R NEMA 4 NEMA 4X
Vibration resistance	7 gn (f= 2...500 Hz) conforming to IEC 60068-2-6
Shock resistance	50 gn conforming to IEC 60068-2-27
Ambient air temperature for operation	-25...70 °C
Ambient air temperature for storage	-40...70 °C
Standards	UL 508 EN/IEC 60947-5-4 CSA C22.2 No 14 JIS C 852 JIS C8201-5-1 EN/IEC 60947-5-1 EN/IEC 60947-1 JIS C8201-1
Product certifications	NEMA[RETURN]UL 508

## Packing Units

Unit Type of Package 1	PCE
Number of Units in Package 1	1
Package 1 Height	5.588 cm
Package 1 Width	9.398 cm
Package 1 Length	4.572 cm
Package 1 Weight	81.647 g

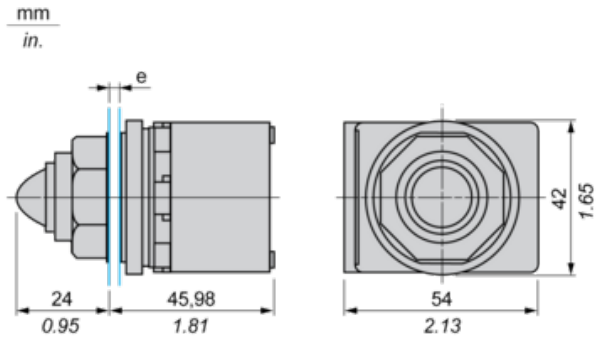
## Offer Sustainability

Sustainable offer status	Green Premium product
REACH Regulation	<a href="#">REACH Declaration</a>
REACH free of SVHC	Yes
EU RoHS Directive	Pro-active compliance (Product out of EU RoHS legal scope) <a href="#">EU RoHS Declaration</a>
Toxic heavy metal free	Yes
Mercury free	Yes
China RoHS Regulation	<a href="#">China RoHS Declaration</a>
RoHS exemption information	<a href="#">Yes</a>
Environmental Disclosure	<a href="#">Product Environmental Profile</a>
Circularity Profile	<a href="#">End Of Life Information</a>
WEEE	The product must be disposed on European Union markets following specific waste collection and never end up in rubbish bins

## Contractual warranty

Warranty	18 months
----------	-----------

Dimensions



e panel thickness: 1 to 6 mm / 0.04 to 0.24 in.