

9001KR9P35RH25

Illuminated push-button, Harmony 9001K, metal, mushroom 41mm, red, 30mm, 2 positions, push-pull, 24-28V, 1 NC late + 1 NC



Main

| | |
|---------------------------|--------------------------------|
| Range of product | Harmony 9001K |
| Product or component type | Illuminated push-button |
| Device short name | 9001K |
| Type of operator | push-pull |
| Operator profile | Red mushroom Ø 41 mm, unmarked |
| Light block supply | Direct |

Complementary

| | |
|--|---|
| Bezel material | Metal |
| Mounting diameter | 30 mm |
| CAD overall width | 54 mm |
| CAD overall height | 42 mm |
| CAD overall depth | 103 mm |
| Terminals description ISO n°1 | (11-12)NC_OL (21-22)NC |
| Net weight | 0.168 kg |
| Operating position | Any position |
| Shape of signaling unit head | Round |
| Operator position information | 2 positions |
| Contacts type and composition | 1 NC late break + 1 NC |
| Contacts type and composition | 1 NC for late-break 1 NC for slow-break |
| Positive opening | With conforming to IEC 60947-5-2 |
| Mechanical durability | 5000000 cycles |
| Connections - terminals | Screw clamp terminals, 1 x 0.22...2 x 1.5 mm ² conforming to IEC 60947-1 |
| Tightening torque | 0.8 N.m conforming to IEC 60947-1 |
| Shape of screw head | Cross slotted |
| Contacts material | Silver alloy contacts |
| Short-circuit protection | 10 A cartridge fuse conforming to IEC 60947-5-1 |
| [I _{th}] conventional free air thermal current | 10 A |
| [U _i] rated insulation voltage | 250 V (pollution degree 3) conforming to IEC 60947-1 |
| [U _{imp}] rated impulse withstand voltage | 2.5 kV conforming to IEC 60947-1 |
| [I _{cm}] rated short-circuit making capacity | 12 KA at 600 V AC-15, 7200 VA 15 KA at 480 V AC-15, 7200 VA 30 KA at 240 V AC-15, 7200 VA 60 kA at 120 V AC-15, 7200 VA |
| Rated breaking capacity | 1.2 KA at 600 V AC-15, 720 VA 1.5 KA at 480 V AC-15, 720 VA 3 KA at 240 V AC-15, 720 VA 6 KA at 120 V AC-15, 720 VA 0.1 KA at 600 V DC-13 0.27 KA at 250 V DC-13 0.55 kA at 125 V DC-13 |

The information provided in this documentation contains general descriptions and/or technical characteristics of the performance of the products contained herein. This documentation is not intended as a substitute for and is not to be used for determining suitability or reliability of these products for specific user applications. It is the duty of any such user or integrator to perform the appropriate and complete risk analysis, evaluation and testing of the products with respect to the relevant specific application or use thereof. Neither Schneider Electric Industries SAS nor any of its affiliates or subsidiaries shall be responsible or liable for misuse of the information contained herein.

| | |
|---------------------------------|-------------------|
| Light source | incandescent |
| Bulb base | BA 9s |
| [Us] rated supply voltage | 24...28 V AC/DC |
| Operator additional information | Screw-on plastic |
| Device presentation | Complete product |
| Cap/operator or lens colour | Red |
| [Us] rated supply voltage | 24...28 V |
| Light block supply | Full voltage |
| Operator profile | Mushroom Ø 41 mm |
| Type of operator | Push-pull |
| Size | 30 mm |
| Light source | Incandescent bulb |

Environment

| | |
|---------------------------------------|--|
| Protective treatment | TC |
| Ambient air temperature for storage | -40...70 °C |
| Ambient air temperature for operation | -25...70 °C |
| Electrical shock protection class | Class II conforming to IEC 61140 |
| IP degree of protection | IP66 conforming to IEC 60529 |
| NEMA degree of protection | NEMA 1 NEMA 12 NEMA 13 NEMA 2 NEMA 3 NEMA 3R NEMA 4 |
| Standards | JIS C 4520 EN/IEC 60947-1 EN/IEC 60947-5-1 EN/IEC 60947-5-4 CSA C22.2 No 14 UL 508 JIS C 852 |
| Product certifications | UL 508[RETURN]NEMA |
| Vibration resistance | 7 gn (f= 2...500 Hz) conforming to IEC 60068-2-6 |
| Shock resistance | 50 gn conforming to IEC 60068-2-27 |

Packing Units

| | |
|------------------------------|-----------|
| Unit Type of Package 1 | PCE |
| Number of Units in Package 1 | 1 |
| Package 1 Height | 4.826 cm |
| Package 1 Width | 5.842 cm |
| Package 1 Length | 11.43 cm |
| Package 1 Weight | 226.796 g |

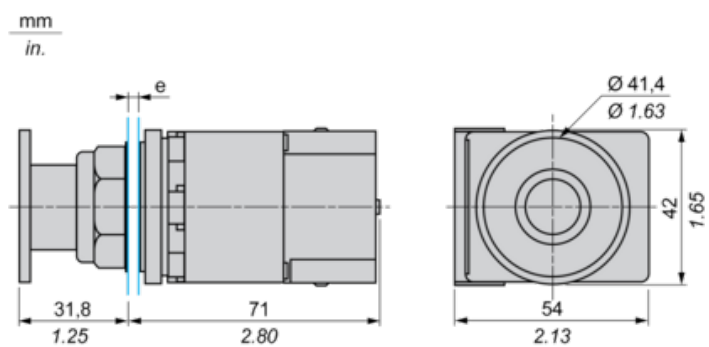
Offer Sustainability

| | |
|----------------------------|---|
| Sustainable offer status | Green Premium product |
| REACH Regulation |  REACH Declaration |
| EU RoHS Directive | Pro-active compliance (Product out of EU RoHS legal scope) |
| Mercury free | Yes |
| China RoHS Regulation |  China RoHS Declaration |
| RoHS exemption information |  Yes |
| Environmental Disclosure |  Product Environmental Profile |
| Circularity Profile | No need of specific recycling operations |
| WEEE | The product must be disposed on European Union markets following specific waste collection and never end up in rubbish bins |

Contractual warranty

| | |
|----------|-----------|
| Warranty | 18 months |
|----------|-----------|

Dimensions



e panel thickness: 1 to 6 mm / 0.04 to 0.24 in.

Contact Block Mounting Position

Top and Rear views



- (1) It is possible to mount up to 3 levels of contacts blocks (maximum of 6 contacts blocks)
- (2) Operator
- (3) Locating notch
- (4) Side 1
- (5) Side 2

Panel Cut-Out

Clearance



| Legend plate | a min. | | b min. | |
|--------------|--------|------|--------|------|
| | mm | in. | mm | in. |
| 9001KN2•• | 57.2 | 2.25 | 44.5 | 1.75 |
| 9001KN3•• | 57.2 | 2.25 | 50.8 | 2.00 |

Individual Cut-outs Details

2 alternatives

mm
in.

