



Main

Range of product	Harmony 9001K Harmony 9001SK
Product or component type	Light block
Device short name	9001K
Bulb base	BA 9s
Light block supply	Direct via integral resistance

Complementary

Net weight	0.05 kg
Light source	Incandescent bulb
[Us] rated supply voltage	24 V AC/DC
[Us] rated supply voltage	24...28 V
Light block supply	Full voltage
Size	30 mm

Environment

Protective treatment	TC
Ambient air temperature for storage	-40...70 °C
Ambient air temperature for operation	-25...70 °C
IP degree of protection	IP20 conforming to IEC 60529
Standards	IEC 60947-5-4 JIS C 852 UL 508 IEC 60947-1 CSA C22.2 No 14 JIS C 4520 IEC 60947-5-1
Product certifications	NEMA[RETURN]UL 508
Electrical shock protection class	Class II conforming to IEC 61140
Vibration resistance	7 gn (f= 2...500 Hz) conforming to IEC 60068-2-6
Shock resistance	50 gn conforming to IEC 60068-2-27

Packing Units

Unit Type of Package 1	PCE
Number of Units in Package 1	1
Package 1 Height	5.588 cm
Package 1 Width	9.144 cm
Package 1 Length	4.826 cm
Package 1 Weight	63.503 g

The information provided in this documentation contains general descriptions and/or technical characteristics of the performance of the products contained herein. This documentation is not intended as a substitute for and is not to be used for determining suitability or reliability of these products for specific user applications. It is the duty of any such user or integrator to perform the appropriate and complete risk analysis, evaluation and testing of the products with respect to the relevant specific application or use thereof. Neither Schneider Electric Industries SAS nor any of its affiliates or subsidiaries shall be responsible or liable for misuse of the information contained herein.

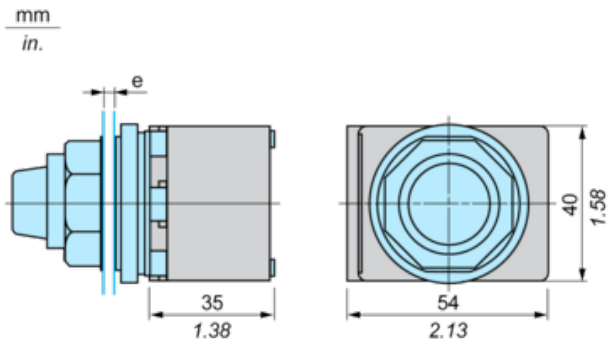
Offer Sustainability

Sustainable offer status	Green Premium product
REACH Regulation	REACH Declaration
EU RoHS Directive	Pro-active compliance (Product out of EU RoHS legal scope)
Mercury free	Yes
China RoHS Regulation	China RoHS Declaration
RoHS exemption information	Yes
Environmental Disclosure	Product Environmental Profile
Circularity Profile	No need of specific recycling operations
WEEE	The product must be disposed on European Union markets following specific waste collection and never end up in rubbish bins

Contractual warranty

Warranty	18 months
----------	-----------

Dimensions



e panel thickness: 1 to 6 mm / 0.04 to 0.24 in.